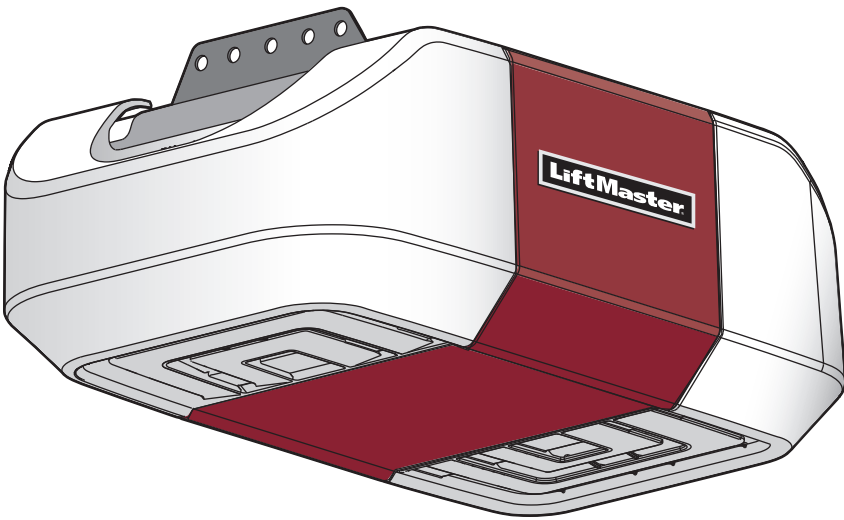


LiftMaster® USER'S GUIDE

FOR RESIDENTIAL USE ONLY



ELITE Series Wi-Fi® Garage Door Opener

- Please read this guide and the enclosed safety materials carefully!
- The door **WILL NOT CLOSE** unless the Protector System® is connected and properly aligned.
- Periodic checks of the garage door opener are required to ensure safe operation.
- This garage door opener is **ONLY** compatible with myQ® and Security+ 2.0® accessories.
- **DO NOT** install on a one-piece door if using devices or features providing unattended close. Unattended devices and features are to be used **ONLY** with sectional doors.
- Attach warning labels to the location indicated on label.

Register your garage door opener to receive updates and offers from LiftMaster



1. **Take a photo** of the camera icon including the points (📷).
2. **Send it in** by texting the photo to 71403 (US) or visit www.liftmaster.photo (Global)



Contents

Important Safety Instructions	3
Power	3
Connect With Your Smartphone	5
Before You Begin	5
Test the Wi-Fi Signal Strength	5
Download the myQ® App to Set Up an Account and Connect	6
Programming	7
Remote Control	7
Wireless Keyless Entry	7
To Erase the Memory	7
Camera	8
Set Up the Camera - Models 85503 and 85503-267 Only	8
Operation	9
To Open the Door Manually	9
Battery Backup (If applicable)	10
Automatic Garage Door Lock(If applicable)	10
Door Control	10
The Protector System® (Safety Reversing Sensors)	11
Adjustment	12
Introduction	12
1 - Program the Travel	13
2 - Test the Safety Reversal System	14
3 - Test the Protector System®	14
Maintenance	15
Troubleshooting	15
Automatic Garage Door Opener Safety & Maintenance Guide	16
Repair Parts	18
Warranty	18

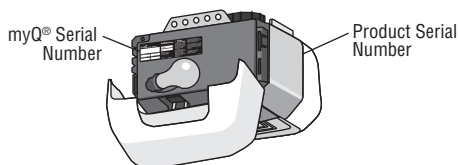
myQ® Serial Number

Write down the following information for future reference:

myQ® Serial Number:

Product Serial Number:

Date of Purchase:

 / /


Safety Symbol and Signal Word Review

This garage door opener has been designed and tested to offer safe service provided it is installed, operated, maintained and tested in strict accordance with the instructions and warnings contained in this manual.

When you see these Safety Symbols and Signal Words on the following pages, they will alert you to the possibility of **serious injury or death** if you do not comply with the warnings that accompany them. The hazard may come from something mechanical or from electric shock. Read the warnings carefully.

 **WARNING**

Mechanical

 **WARNING**

Electrical

When you see this Signal Word on the following pages, it will alert you to the possibility of damage to your garage door and/or the garage door opener if you do not comply with the cautionary statements that accompany it. Read them carefully.

 **CAUTION**



WARNING: This product can expose you to chemicals including lead, which are known to the State of California to cause cancer or birth defects or other reproductive harm. For more information go to www.P65Warnings.ca.gov

Unattended Operation

The Timer-to-Close (TTC) feature, the myQ® App, and myQ® Garage Door and Gate Monitor are examples of unattended close and are to be used **ONLY** with sectional doors. Any device or feature that allows the door to close without being in the line of sight of the door is considered unattended close. The Timer-to-Close (TTC) feature, the myQ® App, and any other myQ® devices are to be used **ONLY** with sectional doors.

Important Safety Instructions

IMPORTANT INSTALLATION INSTRUCTIONS



To reduce the risk of SEVERE INJURY or DEATH:

1. READ AND FOLLOW ALL INSTALLATION WARNINGS AND INSTRUCTIONS.
2. Install garage door opener ONLY on properly balanced and lubricated garage door. An improperly balanced door may NOT reverse when required and could result in SEVERE INJURY or DEATH.
3. ALL repairs to cables, spring assemblies and other hardware MUST be made by a trained door systems technician BEFORE installing opener.
4. Disable ALL locks and remove ALL ropes connected to garage door BEFORE installing opener to avoid entanglement.
5. Where possible, install the door opener 7 feet (2.13 m) or more above the floor.
6. Mount the emergency release within reach, but at least 6 feet (1.83 m) above the floor and avoiding contact with vehicles to avoid accidental release.
7. NEVER connect garage door opener to power source until instructed to do so.
8. NEVER wear watches, rings or loose clothing while installing or servicing opener. They could be caught in garage door or opener mechanisms.
9. Install wall-mounted garage door control:
 - within sight of the garage door.
 - out of reach of small children at a minimum height of 5 feet (1.5 m) above floors, landings, steps or any other adjacent walking surface.
 - away from ALL moving parts of the door.
10. Place entrapment warning label on wall next to garage door control.
11. Place manual release/safety reverse test label in plain view on inside of garage door.
12. Upon completion of installation, test safety reversal system. Door MUST reverse on contact with a 1-1/2" (3.8 cm) high object (or a 2x4 laid flat) on the floor.
13. To avoid SERIOUS PERSONAL INJURY or DEATH from electrocution, disconnect ALL electric and battery power BEFORE performing ANY service or maintenance.
14. DO NOT install on a one-piece door if using devices or features providing unattended close. Unattended devices and features are to be used ONLY with sectional doors.
15. **SAVE THESE INSTRUCTIONS.**

Power

To prevent possible SERIOUS INJURY or DEATH from electrocution or fire:

- Be sure power is NOT connected to the opener, and disconnect power to circuit BEFORE removing cover to establish permanent wiring connection.
- Garage door installation and wiring MUST be in compliance with ALL local electrical and building codes.
- NEVER use an extension cord, 2-wire adapter, or change plug in ANY way to make it fit outlet. Be sure the opener is grounded.

To reduce the risk of electric shock, your garage door opener has a grounding type plug with a third grounding pin. This plug will only fit into a grounding type outlet. If the plug doesn't fit into your outlet, contact a qualified electrician to install the proper outlet.

Option A Typical Wiring

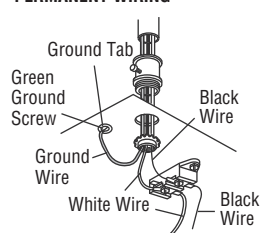
1. Plug in the garage door opener into a grounded outlet.
2. DO NOT run garage door opener at this time.

Option B Permanent Wiring

If permanent wiring is required by your local code, refer to the following procedure. To make a permanent connection through the 7/8 inch hole in the top of the motor unit (according to local code):

1. Remove the motor unit cover screws and set the cover aside.
2. Remove the attached 3-prong cord.
3. Connect the black (line) wire to the screw on the brass terminal; the white (neutral) wire to the screw on the silver terminal; and the ground wire to the green ground screw. **The opener must be grounded.**
4. Reinstall the cover.

PERMANENT WIRING



Important Safety Instructions

IMPORTANT SAFETY INSTRUCTIONS



To reduce the risk of SEVERE INJURY or DEATH:

1. READ AND FOLLOW ALL WARNINGS AND INSTRUCTIONS.
2. ALWAYS keep remote controls out of reach of children. NEVER permit children to operate or play with garage door control push buttons or remote controls.
3. ONLY activate garage door when it can be seen clearly, it is properly adjusted, and there are no obstructions to door travel.
4. ALWAYS keep garage door in sight and away from people and objects until completely closed. NO ONE SHOULD CROSS THE PATH OF THE MOVING DOOR.
5. NO ONE SHOULD GO UNDER A STOPPED, PARTIALLY OPENED DOOR.
6. If possible, use emergency release handle to disengage trolley ONLY when garage door is CLOSED. Use caution when using this release with the door open. Weak or broken springs or unbalanced door could result in an open door falling rapidly and/or unexpectedly and increasing the risk of SEVERE INJURY or DEATH.
7. NEVER use emergency release handle unless garage doorway is clear of persons and obstructions.
8. NEVER use handle to pull garage door open or closed. If rope knot becomes untied, you could fall.
9. After ANY adjustments are made, the safety reversal system MUST be tested.
10. Safety reversal system MUST be tested every month. Garage door MUST reverse on contact with 1-1/2" (3.8 cm) high object (or a 2x4 laid flat) on the floor. Failure to adjust the garage door opener properly increases the risk of SEVERE INJURY or DEATH.
11. ALWAYS KEEP GARAGE DOOR PROPERLY BALANCED. An improperly balanced door may NOT reverse when required and could result in SEVERE INJURY or DEATH.
12. ALL repairs to cables, spring assemblies and other hardware, ALL of which are under EXTREME tension, MUST be made by a trained door systems technician.
13. To avoid SERIOUS PERSONAL INJURY or DEATH from electrocution, disconnect ALL electric and battery power BEFORE performing ANY service or maintenance.
14. This operator system is equipped with an unattended operation feature. The door could move unexpectedly. NO ONE SHOULD CROSS THE PATH OF THE MOVING DOOR.
15. DO NOT install on a one-piece door if using devices or features providing unattended close. Unattended devices and features are to be used ONLY with sectional doors.
16. **SAVE THESE INSTRUCTIONS.**

NOTICE: This device complies with Part 15 of the FCC rules and Industry Canada's license-exempt RSSs. Operation is subject to the following two conditions: (1) this device may not cause harmful interference, and (2) this device must accept any interference received, including interference that may cause undesired operation.

Any changes or modifications not expressly approved by the party responsible for compliance could void the user's authority to operate the equipment. This device must be installed to ensure a minimum 20 cm (8 in.) distance is maintained between users/bystanders and device.

This device has been tested and found to comply with the limits for a Class B digital device, pursuant to part 15 of the FCC rules and Industry Canada ICES standard. These limits are designed to provide reasonable protection against harmful interference in a residential installation. This equipment generates, uses and can radiate radio frequency energy and, if not installed and used in accordance with the instructions, may cause harmful interference to radio communications. However, there is no guarantee that interference will not occur in a particular installation. If this equipment does cause harmful interference to radio or television reception, which can be determined by turning the equipment off and on, the user is encouraged to try to correct the interference by one or more of the following measures:

- Reorient or relocate the receiving antenna.
- Increase the separation between the equipment and receiver.
- Connect the equipment into an outlet on a circuit different from that to which the receiver is connected.
- Consult the dealer or an experienced radio/TV technician for help.

Connect With Your Smartphone

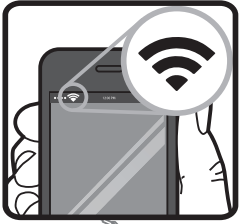
Before You Begin

You will need:

- Wi-Fi enabled smartphone, tablet or laptop
- Broadband Internet Connection
- Wi-Fi signal in the garage (**2.4 GHz, 802.11b/g/n required**)
- Password for your home network (router's main account, not guest network)

Test the Wi-Fi Signal Strength

Make sure your mobile device is connected to your Wi-Fi network. Hold your mobile device in the place where your garage door opener is installed and check the Wi-Fi signal strength.



Check Signal Strength. If you see:



Wi-Fi signal is strong.
The garage door opener will connect to your Wi-Fi network.

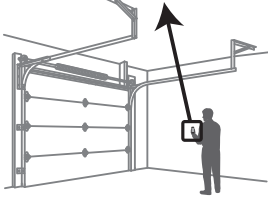


Wi-Fi signal is weak.
The garage door opener may connect to your Wi-Fi network. If not, try one of the options below to improve the Wi-Fi signal:



No Wi-Fi signal.
The garage door opener will not be able to connect to your Wi-Fi network. Try one of the options below to improve the Wi-Fi signal:

- Move your router closer to the garage door opener to minimize interference from walls and other objects
- Buy a Wi-Fi range extender



For compatible router specifications and help, visit support.chamberlaingroup.com.

Connect With Your Smartphone

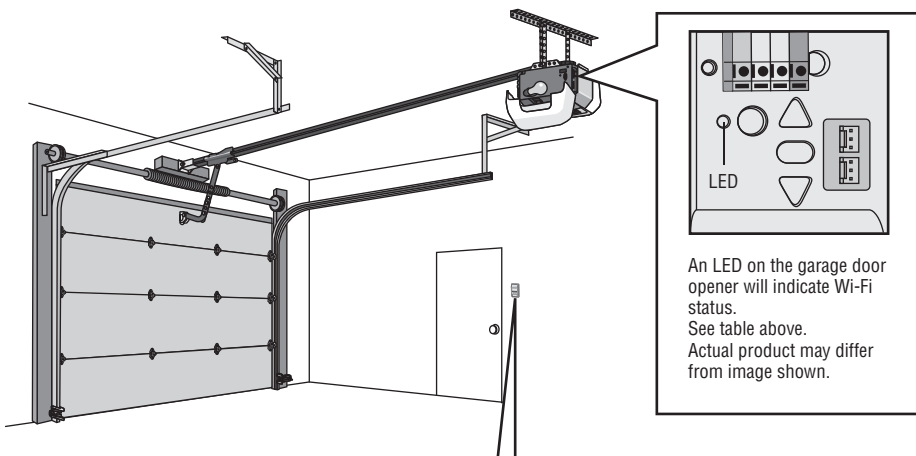
Download the myQ® App to Set Up an Account and Connect

Open and close your door, get alerts and set schedules from anywhere. Connected smart garage door openers also receive software updates to ensure the opener has the latest operational features.

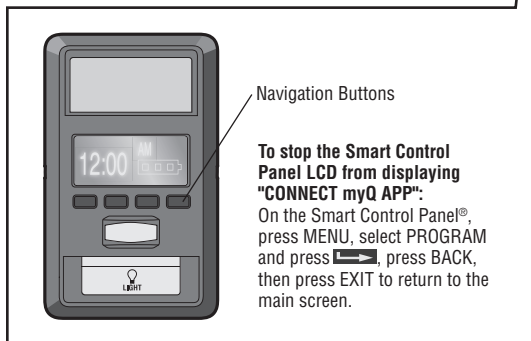
1. Download the myQ® App.
2. Set up an account and connect.

For more information on connecting your garage door opener, visit LiftMaster.com/Customer-Support.

Wi-Fi Status	
LED	Definition
Blue	Off - Wi-Fi is not turned on. Blinking - Garage door opener is in Wi-Fi learn mode. Solid - Mobile device connected to the garage door opener.
Blue and Green	Blinking - Attempting to connect to router.
Green	Blinking - Attempting to connect to the Internet server. Solid - Wi-Fi has been set up and garage door opener is connected to the Internet.



An LED on the garage door opener will indicate Wi-Fi status. See table above. Actual product may differ from image shown.



Navigation Buttons

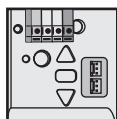
To stop the Smart Control Panel LCD from displaying "CONNECT myQ APP":
On the Smart Control Panel®, press MENU, select PROGRAM and press , press BACK, then press EXIT to return to the main screen.

Programming

Remote Control

Below are the steps to program a new or existing remote control. Test remote control before reprogramming.

1. Press and release the LEARN Button on the garage door opener.
2. Press and hold the button on the remote control that you wish to use. Release the button when the garage door opener lights blink or two clicks are heard.



OR

Select Menu > Program > Remote and follow the on screen prompts.

If your vehicle is equipped with a Homelink®, you may require an external adapter depending on the make, model, and year of your vehicle. Visit www.homelink.com for additional information.

Wireless Keyless Entry

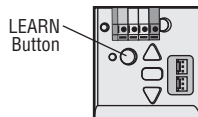
Refer to the instructions provided with your keyless entry OR go to LiftMaster.com to download instructions.

To Erase the Memory

Erase ALL Remote Controls and Keyless Entries

Press and hold the LEARN button until the LED goes out (approximately 6 seconds).

All remote controls and keyless entries are now erased.

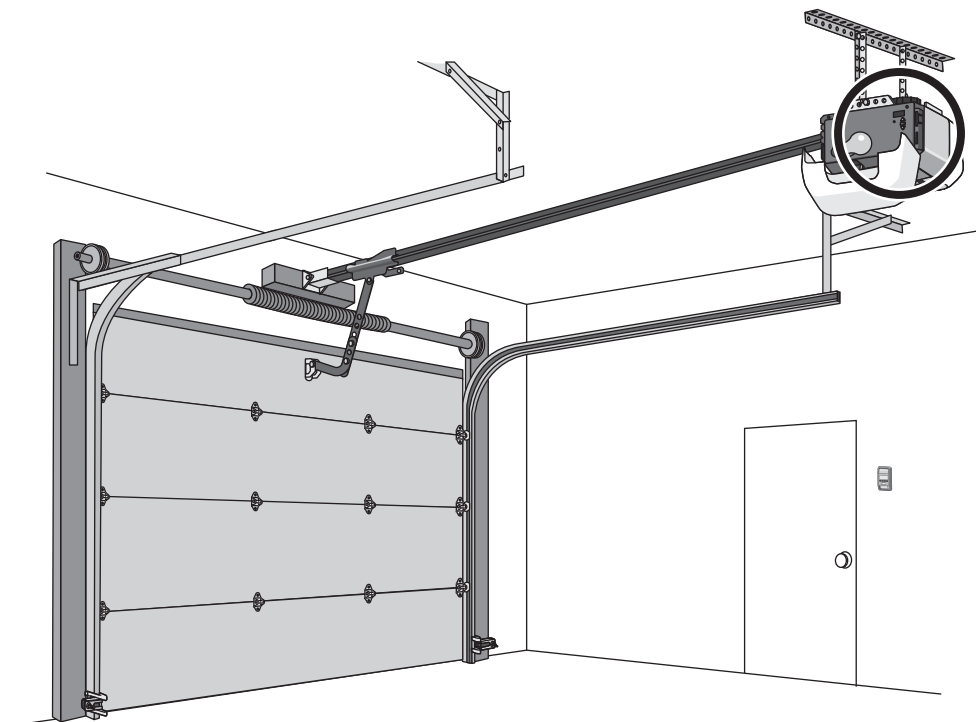
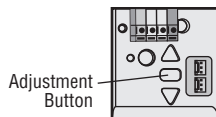


Erase ALL Devices (Including myQ® enabled accessories)

1. Press and hold the LEARN button until the LED goes out (approximately 6 seconds).
2. Immediately press and hold the LEARN button until the LED goes out. All codes are now erased.

Erase the Wi-Fi Network from the Garage Door Opener

Press and hold the adjustment button until 3 beeps are heard (approximately 6 seconds).

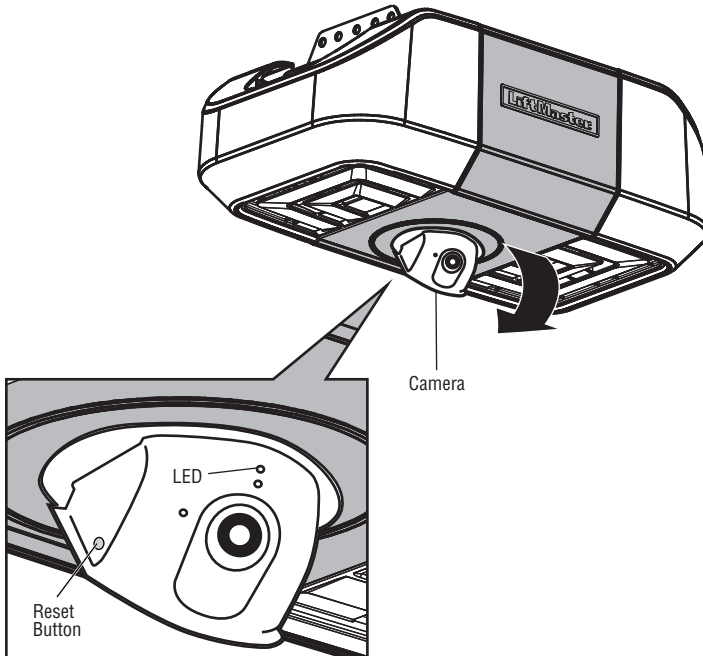


Camera

Set Up the Camera - Models 85503 and 85503-267 Only

1. Download the myQ® app and setup your account if you haven't already, see page 6.
2. Follow the instructions in the app to setup and use the camera.

The camera powers up when it is opened and powers down when closed.



Camera Status	
LED	Definition
Flashing Blue	Camera is attempting to connect to the mobile device.
Solid Blue	Camera is connected to the mobile device.
Flashing Blue and Green	Camera is attempting to connect to the router.
Flashing Green	Camera is connected to the router and attempting to connect to myQ® server.
Solid Green	Camera is connected and working normally.
Solid White	Camera is booting.
Flashing Red	Camera is overheating.
Flashing Purple	Camera firmware is updating.

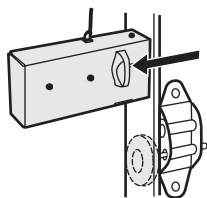
For more information on using the camera, visit support.chamberlaingroup.com.

Operation

WARNING

To prevent possible **SERIOUS INJURY** or **DEATH** from a falling garage door:

- If possible, use emergency release handle to disengage trolley **ONLY** when garage door is **CLOSED**. Weak or broken springs or unbalanced door could result in an open door falling rapidly and/or unexpectedly.
- **NEVER** use emergency release handle unless garage doorway is clear of persons and obstructions.
- **NEVER** use handle to pull door open or closed. If rope knot becomes untied, you could fall.

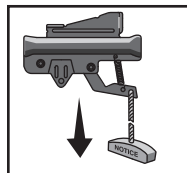


Disengage automatic garage door lock before opening door manually (if applicable).

To Open the Door Manually

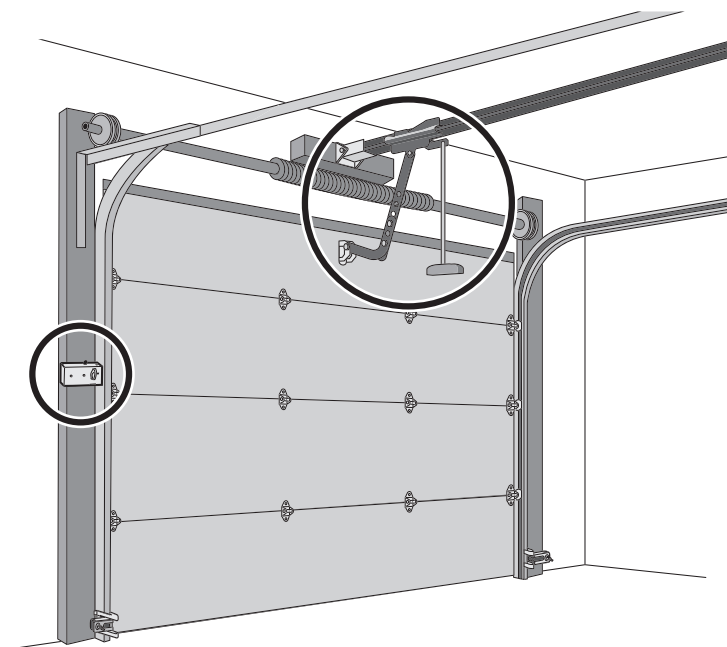
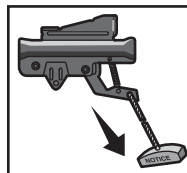
NOTE: *Disengage any door locks before proceeding.*

1. The door should be fully closed if possible.
2. Pull down on the emergency release handle.



Lockout Feature

1. Pull the emergency release handle down and back. The door can then be raised and lowered manually as often as necessary.
2. To disengage the lockout feature, pull the handle straight down. The trolley will reconnect on the next time the opener is activated.



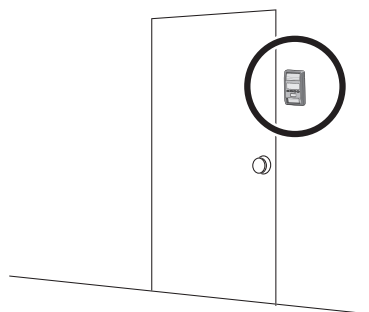
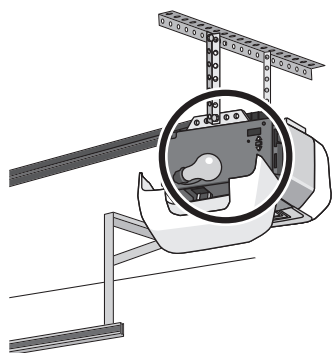
Operation

Battery Backup (If applicable)

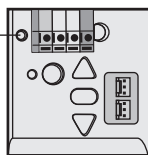
The battery backup allows access in and out of your garage when the power is out. When the garage door opener is operating on battery power, the garage door opener will run slower and the lights, Timer-to-Close, and remote close features (myQ® App) are disabled. In battery backup mode, the Automatic Garage Door Lock will unlock when the garage door is opened, and will remain disabled until power is restored. During a power outage the battery supplies power for up to 24 hours of operation. For maximum battery life and prevent damage, disconnect the battery when the garage door opener is unplugged for an extended period of time.

NOTE: When the garage door opener is in battery backup mode the garage door opener lights, Timer-to-Close, remote close, and camera features are unavailable.

Use an A19 incandescent (100W maximum) or compact fluorescent (26W, 100W equivalent) light bulb. **DO NOT USE halogen, short neck, or specialty light bulbs. DO NOT USE LED bulbs.**

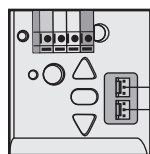


Battery Status LED



- Solid green LED - Charged battery
- Flashing green LED - Charging battery
- Solid orange LED with beep - Operating on battery power
- Flashing orange LED with beep - Low battery
- Solid red LED with beep - Replace battery

Automatic Garage Door Lock (If applicable)



Lock terminals

Garage door opener models featuring the Security Shield on the cover are compatible with the Automatic Garage Door Lock (Model 841LM). **NOTE:** In battery backup mode, the Automatic Garage Door Lock will unlock when the garage door is opened, and will remain disabled until power is restored.

Door Control

Push Bar:
Open/Close garage door.

Navigation Buttons:
Access menu:
Clock Setup, Timer-to-Close, Lock, Program, Temperature, Language, Light Settings, Contrast Adjust, Maintenance Alert System, and Wi-Fi Setup.

Motion Sensor

Tip: To stop the Smart Control Panel LCD from displaying "CONNECT myQ APP":
On the Smart Control Panel®, press MENU, select PROGRAM and press , press BACK, then press EXIT to return to the main screen.

Light Button

- The garage door opener must run through a complete cycle before it will activate Wi-Fi® programming. For help related to Wi-Fi, visit LiftMaster.com/Customer-Support.

Operation

The Protector System® (Safety Reversing Sensors)

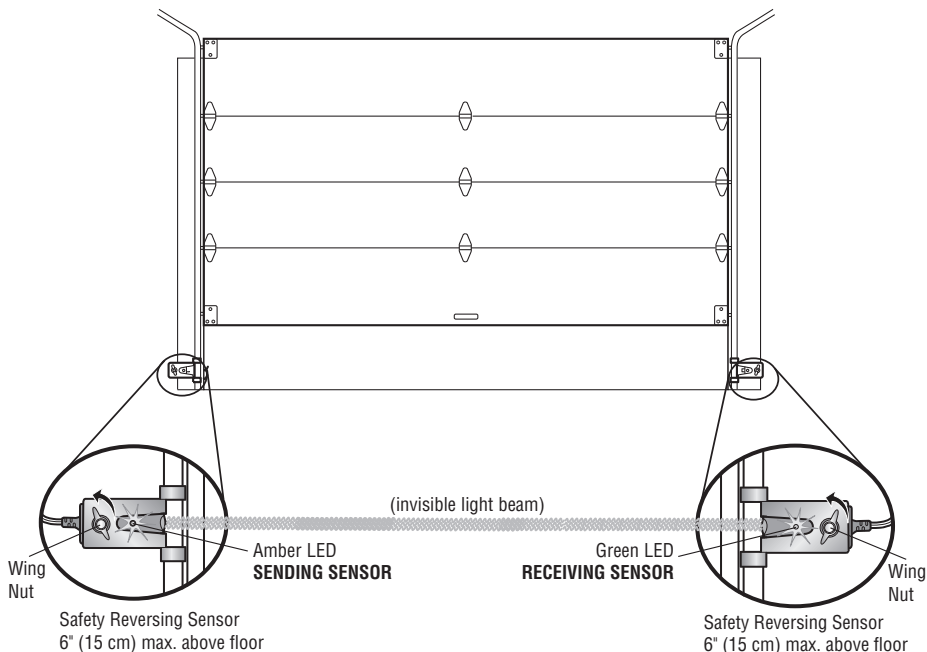
WARNING

Be sure power is NOT connected to the garage door opener BEFORE installing the safety reversing sensor. To prevent SERIOUS INJURY or DEATH from closing garage door:

- Correctly connect and align the safety reversing sensor. This required safety device MUST NOT be disabled.
- Install the safety reversing sensor so beam is NO HIGHER than 6" (15 cm) above garage floor.

The door will not close if the sensors have not been installed and aligned correctly.

When the light beam is obstructed or misaligned while the door is closing, the door will reverse and the garage door opener lights will flash ten times. If the door is already open, it will not close. The sensors can be aligned by loosening the wing nuts, aligning the sensors, and tightening the wing nuts. Check to make sure the LEDs in both sensors are glowing steadily. The LEDs in both sensors will glow steadily if they are aligned and wired correctly.



If the amber LED on the sending sensor is not glowing:

1. Make sure there is power to the garage door opener.
2. Make sure the sensor wire is not shorted/broken.
3. Make sure the sensor has been wired correctly:
White wires to white terminal and white/black wires to gray terminal.

If the green LED on the receiving sensor is not glowing:

1. Make sure the sensor wire is not shorted/broken.
2. Make sure the sensors are aligned.

Adjustment

Introduction

WARNING

Without a properly installed safety reversal system, persons (particularly small children) could be **SERIOUSLY INJURED** or **KILLED** by a closing garage door.

- Incorrect adjustment of garage door travel limits will interfere with proper operation of safety reversal system.
- After ANY adjustments are made, the safety reversal system **MUST** be tested. Door **MUST** reverse on contact with 1-1/2" (3.8 cm) high object (or 2x4 laid flat) on floor.

CAUTION

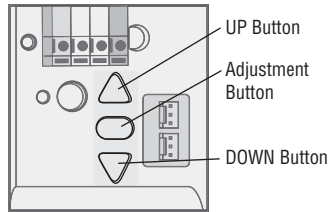
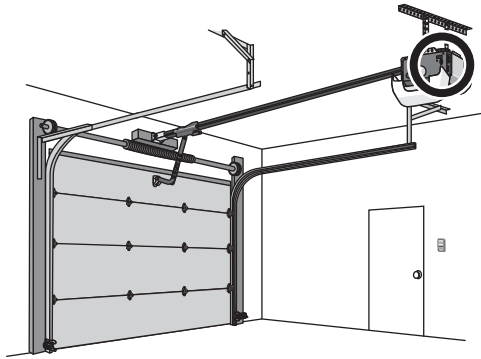
To prevent damage to vehicles, be sure fully open door provides adequate clearance.

Your garage door opener is designed with electronic controls to make setup and adjustments easy. The adjustments allow you to program where the door will stop in the open (UP) and close (DOWN) position. The electronic controls sense the amount of force required to open and close the door.

NOTE: *If anything interferes with the door's upward travel it will stop. If anything interferes with the door's downward travel, it will reverse.*

Programming Buttons

The programming buttons are located on the back panel of the garage door opener and are used to program the travel.



Adjustment

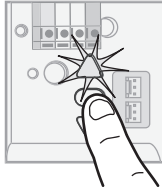
1 - Program the Travel

WARNING

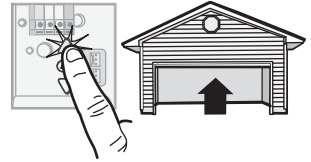
Without a properly installed safety reversal system, persons (particularly small children) could be SERIOUSLY INJURED or KILLED by a closing garage door.

- Incorrect adjustment of garage door travel limits will interfere with proper operation of safety reversal system.
- After ANY adjustments are made, the safety reversal system MUST be tested. Door MUST reverse on contact with 1-1/2" (3.8 cm) high object (or 2x4 laid flat) on floor.

1 Press and hold the Adjustment Button until the UP Button begins to flash and/or a beep is heard.

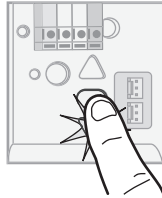


2 Press and hold the UP Button until the door is in the desired UP position.



NOTE: The UP and DOWN Buttons can be used to move the door up and down as needed.

3 Once the door is in the desired UP position press and release the Adjustment Button. The garage door opener lights will flash twice and the DOWN Button will begin to flash.

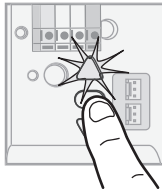


4 Press and hold the DOWN button until the door is in the desired DOWN position.

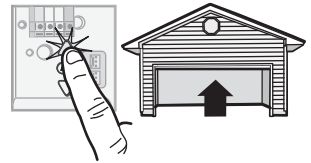


NOTE: The UP and DOWN Buttons can be used to move the door up and down as needed.

5 Once the door is in the desired DOWN position press and release the Adjustment Button. The garage door opener lights will flash twice and the UP Button will begin to flash.



6 Press and release the UP Button. When the door travels to the programmed UP position, the DOWN Button will begin to flash.



7 Press and release the DOWN Button. The door will travel to the programmed DOWN position. Programming is complete.



- If the garage door opener lights are flashing 5 times during the steps for Program the Travel, the programming has timed out. If the garage door opener lights are flashing 10 times during the steps for Program the Travel, the safety reversing sensors are misaligned or obstructed. When the sensors are aligned and unobstructed, cycle the door through a complete up and down cycle using the remote control or the UP and DOWN buttons. Programming is complete. If you are unable to operate the door up and down, repeat the steps for Program the Travel.

Adjustment

2 - Test the Safety Reversal System

WARNING

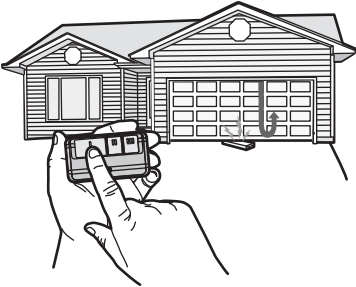
Without a properly installed safety reversal system, persons (particularly small children) could be **SERIOUSLY INJURED** or **KILLED** by a closing garage door.

- Safety reversal system **MUST** be tested every month.
- After **ANY** adjustments are made, the safety reversal system **MUST** be tested. Door **MUST** reverse on contact with 1-1/2" (3.8 cm) high object (or 2x4 laid flat) on the floor.

1 With the door fully open, place a 1-1/2 inch (3.8 cm) board (or a 2x4 laid flat) on the floor, centered under the garage door.



2 Press the remote control push button to close the door. The door **MUST** reverse when it makes contact with the board.



If the door stops but does not reverse:

1. Review the installation instructions provided to insure all steps were followed;
2. Repeat Program the Travel (see Adjustment Step 1);
3. Repeat the Safety Reversal test.

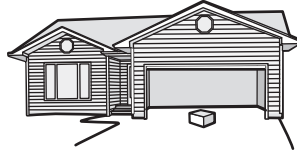
If the test continues to fail, call a trained door systems technician.

3 - Test the Protector System®

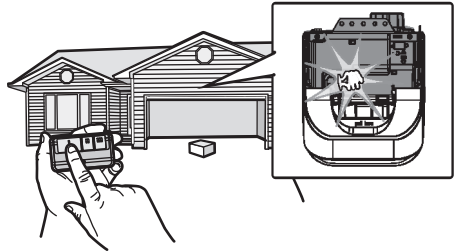
WARNING

Without a properly installed safety reversing sensor, persons (particularly small children) could be **SERIOUSLY INJURED** or **KILLED** by a closing garage door.

1 Open the door. Place an obstruction in the path of the door.



2 Press the remote control push button to close the door. The door will not move more than an inch (2.5 cm), and the garage door opener lights will flash 10 times.



The garage door opener will not close from a remote control if the LED in either safety reversing sensor is off (alerting you to the fact that the sensor is misaligned or obstructed).

If the garage door opener closes the door when the safety reversing sensor is obstructed (and the sensors are no more than 6 inches [15 cm] above the floor), call for a trained door systems technician.

Maintenance

Every Month

- Manually operate door. If it is unbalanced or binding, call a trained door systems technician.
- Check to be sure door opens and closes fully. Adjust if necessary, page 13.
- Test the safety reversal system. Adjust if necessary, page 14.

Every Year

- Oil door rollers, bearings and hinges. The garage door opener does not require additional lubrication. Do not grease the door tracks.
- (If applicable) Test the battery backup and consider replacing the battery to ensure the garage door opener will operate during an electrical power outage.
 1. Unplug the garage door opener from AC power. The battery status LED will glow solid orange (opener is operating on battery power) or will flash (low battery power).
 2. Open and close the door using the remote control or door control.
 3. In battery backup mode, the Automatic Garage Door Lock will unlock when the garage door is opened, and will remain disabled until power is restored.
 4. Plug in the garage door opener. Verify the battery status LED is flashing green (battery is charging).

Every Two to Three Years

- Use a rag to wipe away the existing grease from the garage door opener rail. Reapply a small layer of white lithium grease to the top and underside of the rail surface where the trolley slides.

The Remote Control Battery



WARNING

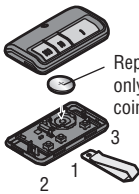
To prevent possible **SERIOUS INJURY** or **DEATH**:

- NEVER allow small children near batteries.
- If battery is swallowed, immediately notify doctor.

To reduce risk of fire, explosion or chemical burn:

- Replace **ONLY** with 3V CR2032 coin batteries.
- **DO NOT** recharge, disassemble, heat above 212°F (100°C) or incinerate.

Pry open the case first in the middle (1), then at each side (2 and 3) with visor clip.



Replace with only 3V CR2032 coin cell battery.

Troubleshooting

Below are basic troubleshooting tips, for additional help and support videos visit support.chamberlain.com or contact your installing dealer.

My garage door opener will not close and the light bulbs flash:

Check to make sure the LEDs in both sensors are glowing steadily. The LEDs in both sensors will glow steadily if they are aligned and wired correctly. See page 11.

My vehicle's Homelink® is not programming to my garage door opener:

Depending on the make, model, and year of your vehicle an external adapter may be required. Visit www.homelink.com for additional information.

My garage door opener beeps:

The garage door opener can beep for several reasons:

- Garage door opener has been activated through a device or feature such as Timer-to-Close, garage door monitor or LiftMaster Internet Gateway.
- Operating on battery power or the battery needs to be replaced.

My neighbor's remote control opens my garage door:

Erase the memory from your garage door opener and reprogram the remote control(s).

The garage door moves 6-8", stops or reverses:

- Manually open and close the garage door. Garage door may be binding or there may be an obstruction. If the door is binding, call a trained door systems technician.
- Possible travel module failure.

My remote control will not activate the garage door:

Verify the lock feature is not activated on the door control or reprogram the remote control.

The wall-mounted door control will not function:

The wires for the door control are shorted or the door control is faulty.

My garage door opener light(s) will not turn off when the door is open:

The garage door opener is equipped with a feature that turns the light on when the safety reversing sensors have been obstructed or when the motion sensor on the door control detects movement in the garage. This feature can be disabled using the door control.

Garage door opener hums for 1-2 seconds with no movement:

Manually open and close the garage door. Garage door may be binding or there may be an obstruction. If the door is binding, call a trained door systems technician.

Cannot connect garage door opener to home Wi-Fi network:

Ensure the myQ® Serial number was entered correctly and try again. The myQ® characters are between A-F and 0-9 only.

To troubleshoot the optional automatic garage door lock model 841LM, see the instructions provided with it.

My camera won't connect to the router:

- Move your router closer to the garage door opener to minimize interference from walls and other objects.
- Buy a Wi-Fi range extender.

For issues with the camera, press and hold the reset button on the camera for 10 seconds. Then, follow the myQ® app instructions to set up the camera.

Automatic Garage Door Opener Safety & Maintenance Guide

Garage Door Opener Safety – An Automatic Decision

A garage door is the largest moving object in the home. An improperly adjusted garage door and opener can exert deadly force when the door closes – which could lead to entrapment of children or adults and subsequent injury or death. Proper installation, operation, maintenance, and testing of the garage door and automatic opener are necessary to provide a safe, trouble-free system. Careless operation or allowing children to play with or use garage door opener controls are also dangerous situations that can lead to tragic results. A few simple precautions can protect your family and friends from potential harm. Please review the safety and maintenance tips in this guide carefully and keep it for reference. Check the operation of your garage door and opener to ensure they function in a safe and trouble-free manner. Be sure to read all Important Safety Information found in your garage door opener's manual as it provides more details and safety considerations than can be supplied with this guide.

Garage Door Openers are Not Toys

Discuss garage door and opener safety with your children. Explain the danger of being trapped under the door.



Stay away from a moving door.



Keep transmitters and remote controls out of reach of children. Do not let children play with or use transmitters or other remote control devices.



The wall-mounted push button should be out of reach of children, at least 5 feet from the nearest standing surface and away from all moving parts. Mount and use the button where you can clearly see the closing garage door.



Keep the door in sight until it completely closes when using the wall-mounted push button or transmitter.

Routine Maintenance Can Prevent Tragedies

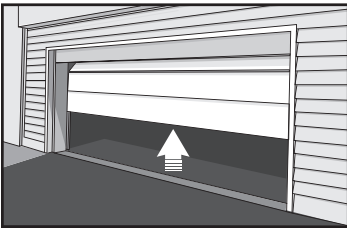
Make monthly inspection and testing of your garage door and opener system a part of your regular routine. Review your owner's manual for both the door and door opener. If you don't have the owner's manuals, contact the manufacturer(s) and request a copy for your specific model(s). Look for the opener model number on the back of the power unit.

! WARNING – Springs are under high tension. Only qualified individuals should adjust them.



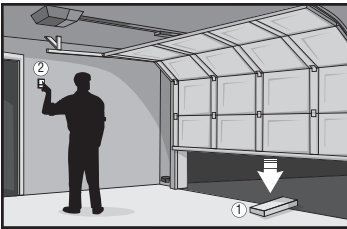
Visually check the door and installation:

- Starting with the door in the closed position, use the manual disconnect on the opener to disconnect the door.
- Look for signs of wear or damage on hinges, rollers, springs, and door panels.
- These parts may require periodic lubrication. Check the owner's manual for suggested maintenance.
- If any signs of damage are evident, contact a trained door systems technician for assistance.
- Verify the photoeye height is no higher than 6" from the garage floor.



Test the door for proper operation:

- Open and close the door manually using handles or suitable gripping points.
- The door should move freely and without difficulty.
- **The door should balance and stay partially open 3–4 feet above the floor.**
- If you detect any signs of improper operation, contact a trained door systems technician for assistance.



Test the opener safety features:

- Reconnect the opener to the door using the manual disconnect and open the door.
- Place a 2x4 board flat in the path of the door (1) and try to close it (2). The door should stop when it comes in contact with the 2x4 and then reverse direction.
- Block the photoelectric sensor by waving an object in front of the sensor and attempt to close the door. The door should not close unless the wall-mounted push button is manually held during operation.
- If the opener does not perform as described, contact a trained door systems technician for assistance.



Repair Parts

To see repair parts for your garage door opener, identify the model number on the end panel of the opener and visit support.chamberlain.com to download or print the installation manual.

Warranty

LIFTMASTER® LIMITED WARRANTY

LiftMaster® (“Seller”) warrants to the first retail purchaser of this product, for the residence in which this product is originally installed, that it is free from defects in materials and/or workmanship for a specific period of time as defined below (the “Warranty Period”). The warranty period commences from the date of purchase.

WARRANTY PERIOD					
Parts	Motor	Accessories	Battery Backup*	Belt	Camera*
5 years	Lifetime	1 year	1 year	Lifetime	1 year

The proper operation of this product is dependent on your compliance with the instructions regarding installation, operation, and maintenance and testing. Failure to comply strictly with those instructions will void this limited warranty in its entirety. If, during the limited warranty period, this product appears to contain a defect covered by this limited warranty, call 1-800-528-9131, toll free, before dismantling this product. You will be advised of disassembly and shipping instructions when you call. Then send the product or component, pre-paid and insured, as directed to our service center for warranty repair. Please include a brief description of the problem and a dated proof-of-purchase receipt with any product returned for warranty repair. Products returned to Seller for warranty repair, which upon receipt by Seller are confirmed to be defective and covered by this limited warranty, will be repaired or replaced (at Seller’s sole option) at no cost to you and returned pre-paid. Defective parts will be repaired or replaced with new or factory-rebuilt parts at Seller’s sole option. [You are responsible for any costs incurred in removing and/or reinstalling the product or any component].

ALL IMPLIED WARRANTIES FOR THE PRODUCT, INCLUDING BUT NOT LIMITED TO ANY IMPLIED WARRANTIES OF MERCHANTABILITY AND FITNESS FOR A PARTICULAR PURPOSE, ARE LIMITED IN DURATION TO THE APPLICABLE LIMITED WARRANTY PERIOD SET FORTH ABOVE FOR THE RELATED COMPONENT(S), AND NO IMPLIED WARRANTIES WILL EXIST OR APPLY AFTER SUCH PERIOD. Some States and Provinces do not allow limitations on how long an implied warranty lasts, so the above limitation may not apply to you. THIS LIMITED WARRANTY DOES NOT COVER NON-DEFECT DAMAGE, DAMAGE CAUSED BY IMPROPER INSTALLATION, OPERATION OR CARE (INCLUDING, BUT NOT LIMITED TO ABUSE, MISUSE, FAILURE TO PROVIDE REASONABLE AND NECESSARY MAINTENANCE, UNAUTHORIZED REPAIRS OR ANY ALTERATIONS TO THIS PRODUCT), LABOR CHARGES FOR REINSTALLING A REPAIRED OR REPLACED UNIT, REPLACEMENT OF CONSUMABLE ITEMS (E.G., BATTERIES IN REMOTE CONTROL TRANSMITTERS AND LIGHT BULBS), OR UNITS INSTALLED FOR NON-RESIDENTIAL USE. THIS LIMITED WARRANTY DOES NOT COVER ANY PROBLEMS WITH, OR RELATING TO, THE GARAGE DOOR OR GARAGE DOOR HARDWARE, INCLUDING BUT NOT LIMITED TO THE DOOR SPRINGS, DOOR ROLLERS, DOOR ALIGNMENT OR HINGES. THIS LIMITED WARRANTY ALSO DOES NOT COVER ANY PROBLEMS CAUSED BY INTERFERENCE. UNDER NO CIRCUMSTANCES SHALL SELLER BE LIABLE FOR CONSEQUENTIAL, INCIDENTAL OR SPECIAL DAMAGES ARISING IN CONNECTION WITH USE, OR INABILITY TO USE, THIS PRODUCT. IN NO EVENT SHALL SELLER’S LIABILITY FOR BREACH OF WARRANTY, BREACH OF CONTRACT, NEGLIGENCE OR STRICT LIABILITY EXCEED THE COST OF THE PRODUCT COVERED HEREBY. NO PERSON IS AUTHORIZED TO ASSUME FOR US ANY OTHER LIABILITY IN CONNECTION WITH THE SALE OF THIS PRODUCT.

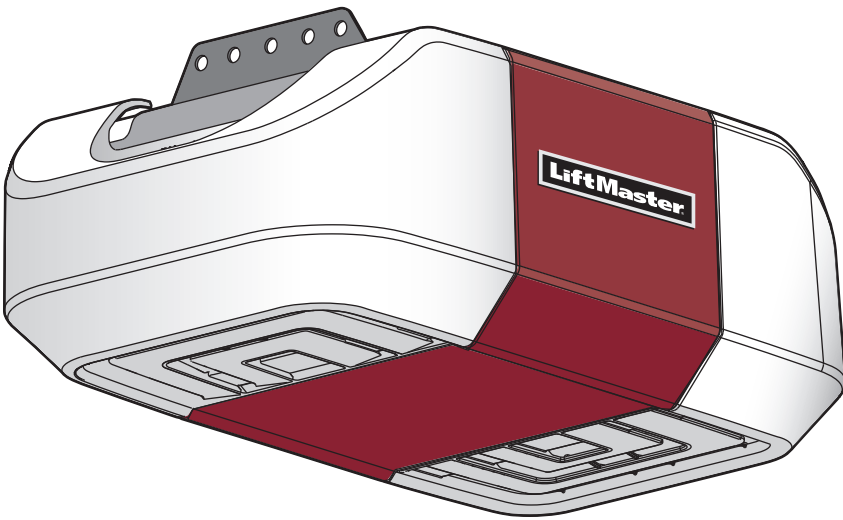
Some states and provinces do not allow the exclusion or limitation of consequential, incidental or special damages, so the above limitation or exclusion may not apply to you. This limited warranty gives you specific legal rights, and you may also have other rights, which vary from state to state and province to province.

* If applicable.

LiftMaster

GUIDE DE L'UTILISATEUR

POUR USAGE RÉSIDENTIEL SEULEMENT



Ouvre-porte de garage Wi-Fi® de série ELITE

- Prière de lire attentivement ce manuel ainsi que les consignes de sécurité!
- La porte NE se fermera PAS à moins que le Protector System® n'est pas connecté et correctement aligné.
- Des vérifications périodiques de l'ouvre-porte de garage sont nécessaires pour garantir un fonctionnement sûr.
- Cet ouvre-porte de garage est compatible UNIQUEMENT avec les accessoires myQ® et Security+ 2.0.® accessories.
- NE PAS installer sur une porte rigide dans le cas de dispositifs ou fonctions permettant la fermeture non surveillée.
- Les dispositifs et fonctions non surveillés doivent être utilisés UNIQUEMENT sur des portes articulées.
- Apposer les étiquettes d'avertissement à l'endroit indiqué sur l'étiquette.

Enregistrez votre ouvre-porte de garage pour recevoir des mises à jour et des offres de LiftMaster



1. **Prendre une photo** de l'icône d'appareil-photo, y compris les points (●).
2. **Faire parvenir** la photo par texto à 71403 (É.-U.) ou en allant à www.liftmaster.photo (mondial)



Table des matières

Consignes de sécurité importantes	3
Alimentation électrique	3
Se connecter avec un téléphone intelligent	5
Avant de commencer	5
Tester la puissance du signal Wi-Fi	5
Télécharger le myQ® App pour créer un compte et vous connecter	6
Programmation	7
Télécommande	7
Dispositif sans fil d'entrée sans clé	7
Pour effacer la mémoire	7
Caméra	8
Configuration de la caméra - Modèles 85503 et 85503-267 UNIQUEMENT	8
Fonctionnement	9
Ouverture manuelle de la porte	9
Batterie de secours (s'il y a lieu)	10
Serrure automatique de porte de garage (S'il y a lieu.)	10
Commande de porte	10
Protector System® (Capteur d'inversion de sécurité)	11
Réglage	12
Introduction	12
1 - Programmation de la course	13
2 - Essai du système d'inversion de sécurité	14
3 - Essai du Protector System®	14
Entretien	15
Dépannage	15
Guide de sécurité et d'entretien de l'ouvre-porte de garage automatique	16
Pièces de réparation	18
Garantie	18

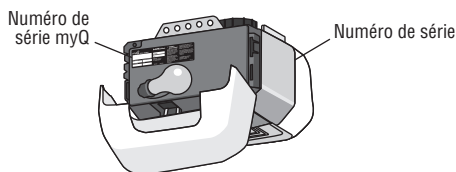
Numéro de série myQ®

Noter les renseignements suivants pour référence ultérieure :

Numéro de série myQ :

Numéro de série :

Date d'achat :



Examen des symboles de sécurité et des mots de signalement

Cet ouvre-porte de garage a été conçu et mis à l'essai dans le but d'offrir un service sûr à condition qu'il soit installé, utilisé, entretenu et mis à l'essai en stricte conformité avec les instructions et les avertissements contenus dans le présent manuel. Les symboles de sécurité et les mots de signalement qui figurent sur les pages suivantes vous avertissent de la possibilité de **blessures graves ou mortelles** en cas de non-conformité aux avertissements qui les accompagnent. Le danger peut être de source mécanique ou provenir d'une décharge électrique. Lisez attentivement les avertissements.

AVERTISSEMENT


Mécanique

AVERTISSEMENT

Électrique

Ce mot de signalement vous avertit de la possibilité de dommages à votre porte de garage ou ouvre-porte de garage, ou les deux, en cas de non-conformité aux énoncés de mise en garde qui l'accompagnent. Prière de les lire attentivement.

ATTENTION

 **AVERTISSEMENT** : Ce produit peut vous exposer à des produits chimiques, y compris du plomb, reconnus par l'État de la Californie comme étant cancérigènes ou pouvant causer des anomalies congénitales ou d'autres préjudices à l'appareil reproducteur. Pour plus d'information, aller à www.P65Warnings.ca.gov

Fonctionnement non surveillé

La fonction de minuterie de fermeture (TTC), l'appli myQ® et le moniteur de porte de garage et de barrière myQ® sont des exemples de fermeture non surveillée et doivent être utilisés UNIQUEMENT sur des portes articulées. Tout dispositif ou toute fonction qui permet la fermeture de la porte sans visibilité directe de celle-ci constitue une fermeture non surveillée. La fonction de minuterie de fermeture (TTC), le myQ® App et tous les autres dispositifs myQ® doivent être utilisés UNIQUEMENT sur des portes articulées.

Consignes de sécurité importantes

IMPORTANTES INSTRUCTIONS CONCERNANT L'INSTALLATION

AVERTISSEMENT

Pour réduire le risque de BLESSURES GRAVES, voire MORTELLES :

1. LIRE ET OBSERVER TOUS LES AVERTISSEMENTS ET INSTRUCTIONS D'INSTALLATION.
2. Installer l'ouvre-porte de garage UNIQUEMENT sur une porte de garage bien équilibrée et lubrifiée. Une porte mal équilibrée peut ne PAS inverser sa course en cas de besoin et pourrait entraîner des BLESSURES GRAVES, voire MORTELLES.
3. TOUTES les réparations aux câbles, ensembles de ressort et autres ferrures de montage DOIVENT être confiées à un technicien formé en systèmes de porte AVANT d'installer l'ouvre-porte.
4. Désactiver TOUTES les serrures et retirer toutes les cordes raccordées à la porte de garage AVANT d'installer l'ouvre-porte afin d'éviter un emmêlement.
5. Dans la mesure du possible, installer l'ouvre-porte à au moins 2,13 m (7 pi) au-dessus du sol.
6. Monter le dispositif de déclenchement d'urgence à portée de la main, mais à au moins 1,83 m (6 pi) du sol et éviter tout contact avec des véhicules afin d'éviter tout déclenchement accidentel.
7. Ne JAMAIS raccorder l'ouvre-porte de garage à une source de courant avant d'avoir reçu l'instruction de le faire.
8. Ne JAMAIS porter de montres, bagues ou vêtements amples durant l'installation ou l'entretien de l'ouvre-porte. Ils pourraient être happés par la porte de garage ou les mécanismes de l'ouvre-porte.
9. Installer la commande de porte de garage murale :
 - bien en vue de la porte de garage;
 - hors de portée des jeunes enfants à une hauteur d'au moins 1,5 m (5 pi) du sol, des paliers, des marches ou de toute autre surface adjacente sur laquelle on marche;
 - à l'écart de TOUTES les pièces mobiles de la porte.
10. Placer l'étiquette d'avertissement de prise au piège sur le mur à côté de la commande de la porte de garage.
11. Apposer l'étiquette d'essai d'inversion de sécurité/ouverture manuelle bien en vue sur le côté intérieur de la porte de garage.
12. Au terme de l'installation, faire l'essai du système d'inversion de sécurité. La porte DOIT remonter au contact d'un objet d'une hauteur de 3,8 cm (1-1/2 de po) (ou un 2 x 4 posé à plat) sur le sol.
13. Pour éviter des BLESSURES GRAVES ou MORTELLES par électrocution, débrancher TOUTE alimentation électrique et la batterie AVANT TOUTE intervention ou tout entretien.
14. NE PAS installer sur une porte rigide dans le cas de dispositifs ou fonctions permettant la fermeture non surveillée. Les dispositifs et fonctions non surveillés doivent être utilisés UNIQUEMENT sur des portes articulées.
15. **CONSERVER CES INSTRUCTIONS.**

Alimentation électrique

Pour éviter toute BLESSURE potentielle GRAVE voire MORTELLE par électrocution ou brûlure :

- S'assurer que l'ouvre-porte est hors tension et couper l'alimentation du circuit AVANT de retirer le couvercle pour procéder à un branchement permanent.
- L'installation et le câblage de la porte de garage DOIVENT être conformes à TOUTS les codes électriques et de construction locaux.
- Ne JAMAIS utiliser un cordon de rallonge ou un adaptateur bifilaire ni modifier la fiche de QUELQUE manière que ce soit pour l'insérer dans la prise. S'assurer que l'ouvre-porte est mis à la terre.

Afin de minimiser les risques de décharge électrique, le cordon d'alimentation de l'ouvre-porte de garage comporte une fiche à trois broches, dont une de mise à la terre. Cette fiche ne peut être branchée que dans une prise de courant mise à la terre. Si la fiche ne peut pas être branchée dans la prise de courant, s'adresser à un électricien compétent pour faire poser une prise de courant adéquate.

Option A Câblage typique

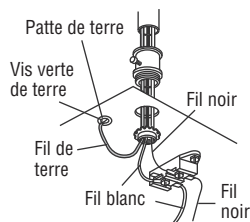
1. Brancher l'ouvre-porte de garage dans une prise de courant mise à la terre.
2. NE PAS faire fonctionner l'ouvre-porte de garage pour le moment.

Option B Câblage permanent

Si les codes municipaux exigent une installation électrique permanente, procéder comme suit. Pour procéder à un branchement permanent par le trou de 2,2 cm (7/8 po) pratiqué dans le dessus du moteur (conformément au code local) :

1. Retirer les vis du couvercle du moteur et mettre le couvercle de côté.
2. Enlever le cordon à 3 broches attaché.
3. Brancher le fil noir (courant secteur) sur la vis de la borne en laiton; le fil blanc (neutre) sur la vis de la borne argent, puis le fil de terre sur la vis de terre verte. **L'ouvre-porte doit obligatoirement être mis à la terre.**
4. Remettre le couvercle en place.

CÂBLAGE PERMANENT



Consignes de sécurité importantes

IMPORTANTES CONSIGNES DE SÉCURITÉ

AVERTISSEMENT

Pour réduire le risque de BLESSURES GRAVES, voire MORTELLES :

1. LIRE ET OBSERVER TOUS LES AVERTISSEMENTS ET TOUTES LES INSTRUCTIONS.
2. Garder TOUJOURS la télécommande hors portée des enfants. Ne JAMAIS laisser des enfants faire fonctionner les télécommandes ou les boutons-poussoirs de la commande de porte de garage ou jouer avec ceux-ci.
3. Actionner la porte de garage UNIQUEMENT lorsqu'on peut la voir clairement, qu'elle est bien réglée et qu'aucun objet n'obstrue sa course.
4. Garder TOUJOURS la porte de garage en vue et toute personne ou tout objet à l'écart de la porte jusqu'à sa fermeture complète. PERSONNE NE DOIT CROISER LA TRAJECTOIRE DE LA PORTE EN MOUVEMENT.
5. PERSONNE NE DOIT PASSER SOUS UNE PORTE ARRÊTÉE OU PARTIELLEMENT OUVERTE.
6. Si possible, utiliser la poignée de déclenchement d'urgence pour désengager le chariot UNIQUEMENT lorsque la porte de garage est FERMÉE. Faire preuve de prudence lors de l'utilisation de cette poignée lorsque la porte est ouverte. Des ressorts affaiblis ou brisés ou une porte déséquilibrée peuvent entraîner la chute rapide et/ou inattendue de la porte et accroître le risque de BLESSURES GRAVES, voire MORTELLES.
7. Ne JAMAIS utiliser la poignée de déclenchement d'urgence à moins que rien ni personne n'obstrue la trajectoire de la porte.
8. Ne JAMAIS utiliser la poignée pour ouvrir ou fermer la porte de garage. Il y a risque de chute si le nœud de la corde se défait.
9. Après avoir effectué QUELQUE réglage que ce soit, on DOIT faire l'essai du système d'inversion de sécurité.
10. Le système d'inversion de sécurité DOIT être testé chaque mois. La porte de garage DOIT pouvoir inverser sa course au contact d'un objet de 3,8 cm (1 1/2 po) (ou d'une planche de 2 x 4) posé(e) sur le sol. À défaut de régler l'ouvre-porte de garage correctement, le risque de BLESSURES GRAVES ou MORTELLES sera accru.
11. GARDER TOUJOURS LA PORTE DE GARAGE BIEN ÉQUILIBRÉE. Une porte mal équilibrée peut ne PAS inverser sa course en cas de besoin et pourrait entraîner des BLESSURES GRAVES, voire MORTELLES.
12. TOUTES les réparations des câbles, des ressorts et de la quincaillerie, lesquels sont sous une tension EXTRÊME, DOIVENT être confiées à des techniciens formés à cet effet.
13. Pour éviter des BLESSURES GRAVES ou MORTELLES par électrocution, débrancher TOUTE alimentation électrique et la batterie AVANT TOUTE intervention ou tout entretien.
14. Ce système d'actionneur est équipé d'un dispositif de fonctionnement sans surveillance. La porte est susceptible de se mettre en mouvement inopinément. PERSONNE NE DOIT CROISER LA TRAJECTOIRE DE LA PORTE EN MOUVEMENT.
15. NE PAS installer sur une porte rigide dans le cas de dispositifs ou fonctions permettant la fermeture non surveillée. Les dispositifs et fonctions non surveillés doivent être utilisés UNIQUEMENT avec des portes articulées.
16. **CONSERVER CES INSTRUCTIONS.**

AVERTISSEMENT : Cet appareil est conforme aux dispositions de la partie 15 du règlement de la FCC et de l'exemption de licence des appareils radio d'Innovation, Sciences et Développement économique Canada. L'utilisation est assujettie aux deux conditions suivantes : (1) ce dispositif ne peut causer de brouillage nuisible, et (2) ce dispositif doit accepter tout brouillage reçu, y compris tout brouillage pouvant causer un fonctionnement indésirable.

Tout changement ou modification non expressément approuvés par la partie responsable de la conformité pourrait annuler l'autorité de l'utilisateur d'utiliser l'équipement.

Cet appareil doit être installé de manière à laisser une distance d'au moins 20 cm (8 po) entre celui-ci et l'utilisateur ou toute personne.

Cet appareil a été testé et déclaré conforme aux limites d'un dispositif numérique de Classe B, conformément à la partie 15 du règlement de la FCC et de la norme NMB d'Innovation, Sciences et Développement économique Canada. Ces limites ont pour but de fournir une protection raisonnable contre le brouillage nuisible dans une installation résidentielle. Cet équipement génère, utilise et peut émettre des fréquences radio et, s'il n'est pas installé et utilisé conformément aux instructions, peut causer un brouillage nuisible aux communications radio. Cependant, rien ne garantit l'absence de brouillage dans une installation particulière. Si cet équipement cause un brouillage nuisible à la réception radio ou télévisée, ce qui peut être déterminé en éteignant et en rallumant l'équipement, l'utilisateur est invité à tenter de corriger le brouillage en prenant l'une des mesures suivantes :

- Réorienter ou déplacer l'antenne de réception.
- Augmenter la distance entre l'équipement et le récepteur.
- Connecter l'équipement dans une prise de courant sur un circuit différent de celui auquel le récepteur est branché.
- Pour obtenir de l'aide, consulter le détaillant ou un technicien radio chevronné.

Se connecter avec un téléphone intelligent

Avant de commencer

Il vous faudra :

- Un téléphone intelligent, tablette ou ordinateur portable activés par Wi-Fi
- Une connexion Internet à bande large
- Un puissant signal Wi-Fi dans le garage (**2,4 GHz, 802.11b/g/n exigés**)
- Le mot de passe du réseau de votre domicile (compte principal du routeur, pas le réseau d'invité)

Tester la puissance du signal Wi-Fi

Vérifier que votre appareil mobile est connecté au réseau de votre domicile. Tenir votre appareil à l'endroit où l'ouvre-porte de garage sera installé et vérifier la puissance du signal Wi-Fi.



Vérifier la puissance du signal. Si l'on voit :



Le signal Wi-Fi est puissant.
L'ouvre-porte de garage se connectera à votre réseau Wi-Fi.

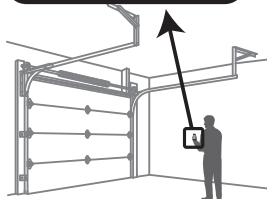


Le signal Wi-Fi est faible.
L'ouvre-porte de garage pourrait se connecter à votre réseau Wi-Fi. Sinon, essayer l'une des options ci-dessous pour améliorer le signal Wi-Fi :



Aucun signal Wi-Fi.
L'ouvre-porte de garage ne se connecte pas à votre réseau Wi-Fi. Essayer l'une des options ci-dessous pour améliorer le signal Wi-Fi :

- Déplacer le routeur plus près de l'ouvre-porte de garage pour minimiser le brouillage causé par les murs et d'autres objets.
- Acheter un extenseur de portée Wi-Fi



Pour prendre connaissance des caractéristiques de routeur compatible et pour obtenir de l'aide, aller à support.chamberlaingroup.com.

Se connecter avec un téléphone intelligent

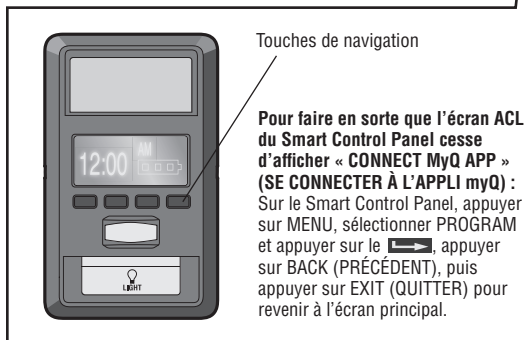
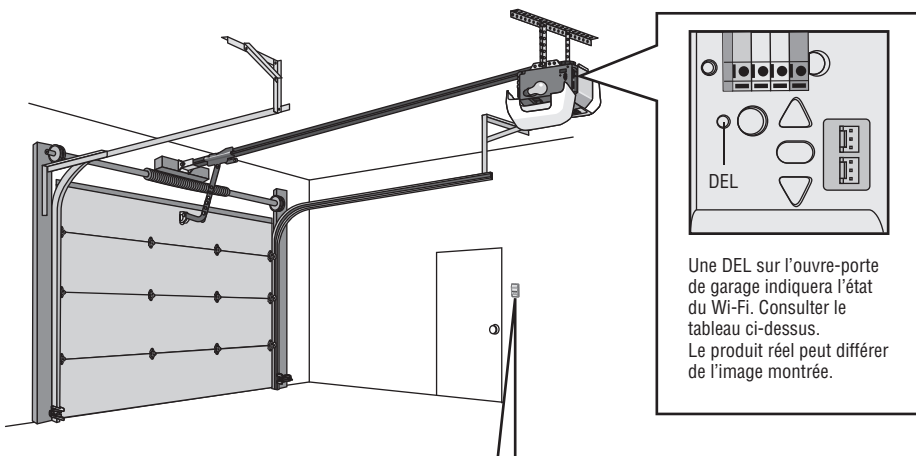
Télécharger le myQ® App pour créer un compte et vous connecter

Ouvrez et fermez la porte, recevez des alertes et établissez des horaires de n'importe où. Les ouvre-portes de garage intelligents reçoivent aussi des mises à jour logicielles pour garantir que l'ouvre-porte bénéficie des plus récentes caractéristiques opérationnelles.

1. Télécharger le myQ® App
2. Créer un compte et vous connecter.

Pour plus d'information sur la façon de connecter votre ouvre-porte de garage, allez à liftmaster.com/customer-support.

État du Wi-Fi	
DEL	Définition
Bleu	Arrêt - Le Wi-Fi n'est pas activé. Clignotant - Mettre l'ouvre-porte de garage en mode d'apprentissage Wi-Fi. Allumé en continu - L'appareil mobile est connecté à l'ouvre-porte de garage.
Bleu et vert	Clignotant - Tentative de connexion au routeur.
Vert	Clignotant - Tentative de connexion au serveur Internet. Allumé en continu - Le Wi-Fi a été configuré et l'ouvre-porte de garage est connecté à Internet.

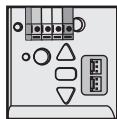


Programming

Télécommande

Les étapes de programmation d'une télécommande neuve ou existante sont expliquées ci-dessous. Tester la télécommande avant de la reprogrammer.

1. Enfoncer et relâcher le bouton « LEARN » (apprentissage) de l'ouvre-porte de garage.
2. Tenir enfoncé le bouton de la télécommande qui sera utilisé. Relâcher le bouton lorsque l'éclairage de l'ouvre-porte de garage clignote ou que deux déclics se font entendre.



OU

Sélectionner Menu > Program > Remote (Télécommande) et suivre les invites à l'écran.

Si votre véhicule est équipé du système Homelink®, un adaptateur externe peut être nécessaire selon la marque et l'année-modèle de votre véhicule. Aller sur www.homelink.com pour de l'information supplémentaire.

Dispositif sans fil d'entrée sans clé

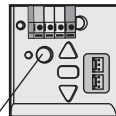
Consulter les instructions fournies avec votre dispositif d'accès sans fil I OU aller à LiftMaster.com pour télécharger les instructions.

Pour effacer la mémoire

Effacer TOUTES les télécommandes et TOUS les dispositifs d'entrée sans clé

Enfoncer et tenir le bouton d'apprentissage jusqu'à ce que la DEL s'éteigne (6 à 10 secondes).

Tous les codes de la télécommande et du dispositif d'entrée sans clé sont maintenant effacés.



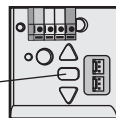
Bouton « LEARN » (d'apprentissage)

EFFACER TOUS LES DISPOSITIFS (y compris les accessoires myQ®)

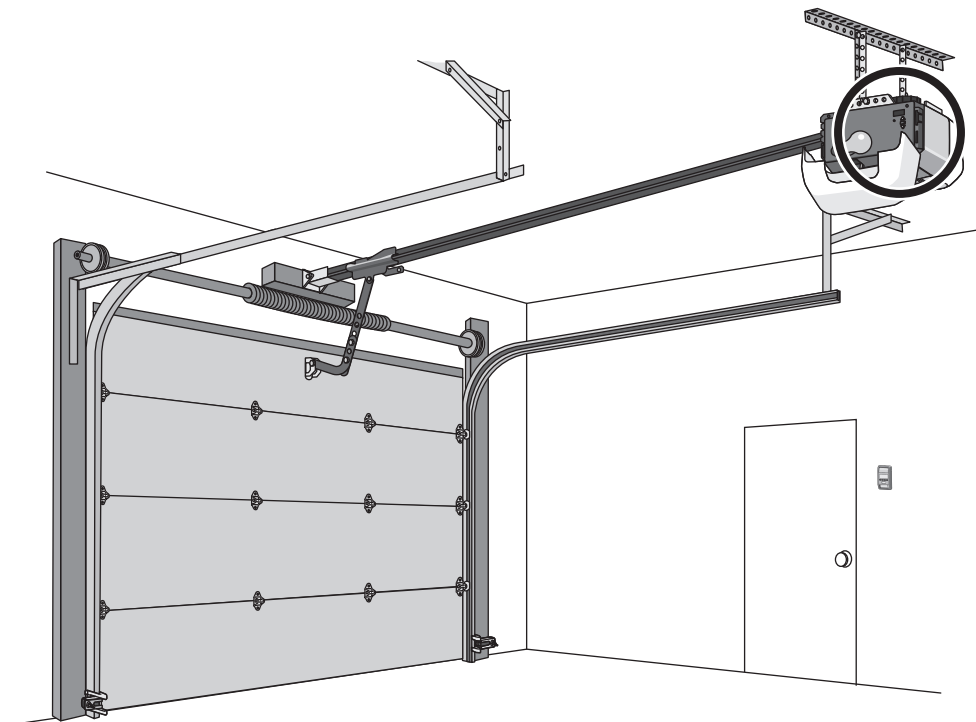
1. Enfoncer et tenir le bouton d'apprentissage jusqu'à ce que la DEL s'éteigne (6 à 10 secondes).
2. Enfoncer et tenir immédiatement le bouton d'apprentissage jusqu'à ce que la DEL d'apprentissage s'éteigne. Tous les codes sont maintenant effacés.

Effacer le réseau Wi-Fi de l'ouvre-porte de garage

Enfoncer et tenir le bouton de réglage jusqu'à ce que trois bips soient émis (environ six secondes).



Bouton de réglage



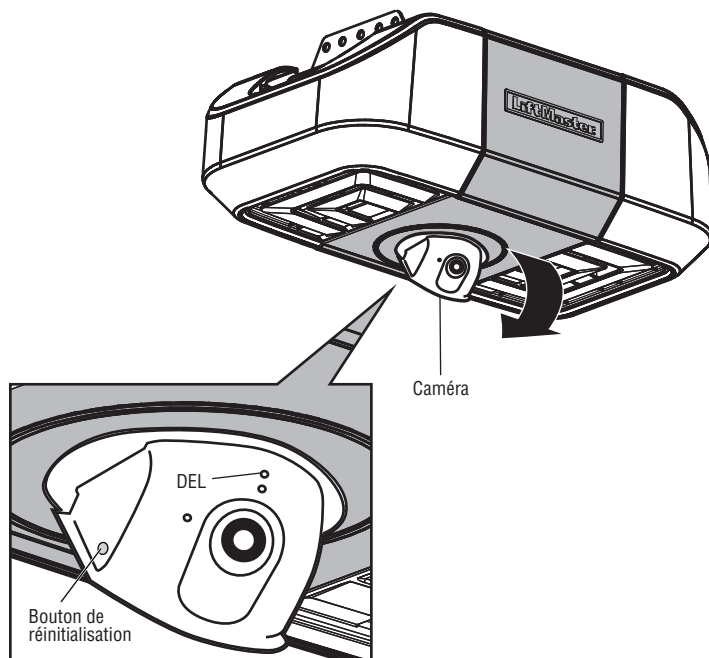
Caméra

Configuration de la caméra - Modèles 85503 et 85503-267 UNIQUEMENT

1. Télécharger l'appli myQ® et configurer votre compte, si ce n'est déjà fait.

2. Suivre les instructions dans l'appli pour configurer et utiliser la caméra.

La caméra se met en fonction lorsqu'il est ouvert et se met hors fonction lorsqu'il est fermé.



État de la caméra	
DEL	Définition
Clignotante bleue	La caméra tente de se connecter à l'appareil mobile.
Bleue allumée en continu	La caméra est connectée à l'appareil mobile.
Clignotante bleue et verte	La caméra tente de se connecter au routeur.
Clignotante verte	La caméra est connectée au routeur et tente de se connecter au serveur myQ®.
Verte allumée en continu	La caméra est connectée et fonctionne normalement.
Blanche allumée en continu	La caméra est lancée.
Clignotante rouge	La caméra surchauffe
Clignotante mauve	Le logiciel de la caméra fait une mise à jour.

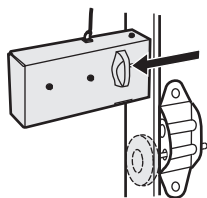
Pour plus d'information sur l'utilisation de la caméra, visiter support.chamberlaingroup.com.

Fonctionnement

AVERTISSEMENT

Pour prévenir d'éventuelles BLESSURES GRAVES ou MORTELLES par suite de la chute d'une porte de garage :

- Si possible, utiliser la poignée de déclenchement d'urgence pour désengager le chariot **UNIQUEMENT** lorsque la porte de garage est FERMÉE. Des ressorts faibles ou brisés ou une porte déséquilibrée peuvent provoquer la chute rapide et/ou imprévue d'une porte ouverte.
- Ne JAMAIS utiliser la poignée de déclenchement d'urgence à moins que rien ni personne n'obstrue la trajectoire de la porte.
- Ne JAMAIS utiliser la poignée pour ouvrir ou fermer la porte. Il y a risque de chute si le nœud de la corde se défait.

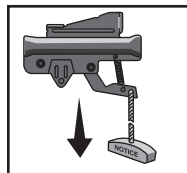


Désengager la serrure automatique de la porte de garage avant d'ouvrir la porte manuellement (s'il y a lieu).

Ouverture manuelle de la porte

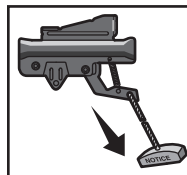
REMARQUE : Désengager toutes les serrures de porte avant de procéder.

1. Dans la mesure du possible, la porte doit être complètement fermée.
2. Tirer la poignée de déclenchement d'urgence.

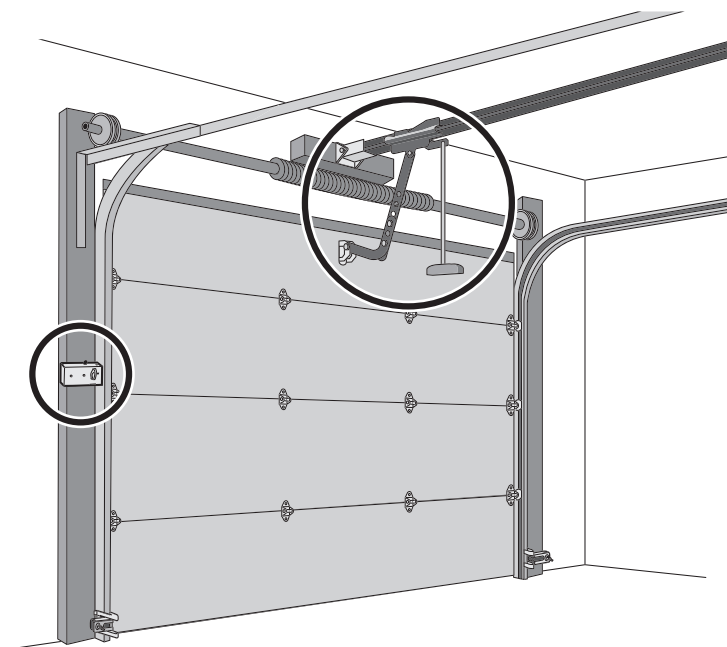


Fonction de verrouillage

1. Tirer la poignée de déclenchement d'urgence vers le bas et l'arrière. Il sera alors possible d'ouvrir et de fermer la porte à la main autant de fois qu'on le désirera.
2. Pour désactiver la fonction de verrouillage, tirer la poignée vers le bas.



Le chariot se réenclenchera lors de la prochaine ouverture ou fermeture de la porte.



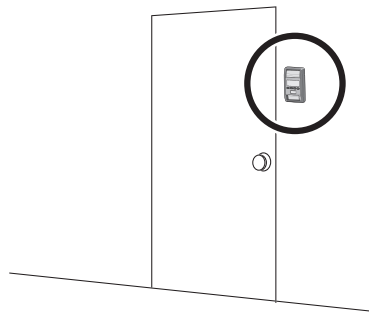
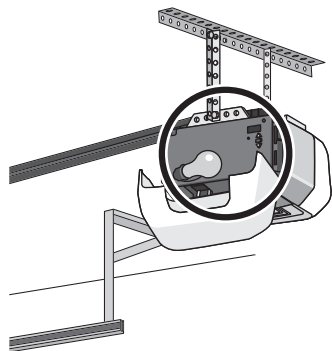
Fonctionnement

Batterie de secours (s'il y a lieu)

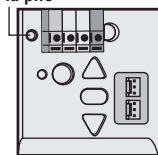
La batterie de secours permet d'entrer ou de sortir du garage lors d'une panne de courant. Lorsque l'ouvre-porte de garage fonctionne sur l'alimentation de secours, il fonctionne plus lentement et les fonctions d'éclairage, de temporisation de fermeture et de télécommande de fermeture (application myQ®) sont désactivées. En mode d'alimentation par batterie de secours, la serrure automatique de porte de garage se déverrouillera lorsque la porte de garage est ouverte; elle restera désactivée jusqu'à ce que le courant soit restauré. Lors d'une panne de courant, la pile de secours fournit une alimentation pendant 24 heures. Pour obtenir une longévité maximale de la pile et éviter tous dommages, débranchez la pile si l'ouvre-porte de garage doit rester débranché pendant une longue période de temps.

REMARQUE : Lorsque l'ouvre-porte de garage est en mode d'alimentation par batterie de secours, les fonctions d'éclairage, de minuterie de fermeture et de fermeture à distance de l'ouvre-porte de garage ne sont pas disponibles.

Se servir d'une ampoule incandescente A19 (100 W maximum) ou fluorescente compacte (26 W, équivalent à 100 W). **NE PAS utiliser d'ampoules halogènes, à col court ou de forme spéciale. NE PAS utiliser d'ampoules à DEL.**

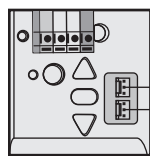


Del d'état de charge de la pile



- DEL verte solide - Pile chargée
- DEL vert clignotant - Pile est en cours de recharge
- DEL orange solide avec bip - Fonctionne pile
- DEL orange clignotant avec bip - Pile est faible
- DEL rouge solide avec bip - Remplacée pile

Serrure automatique de porte de garage (S'il y a lieu.)



Bornes de verrouillage

Les modèles d'ouvre-porte de garage doté du sigle Security Shield sur leur couvercle sont compatibles avec la serrure automatique de porte de garage LiftMaster (modèle 841LM). **REMARQUE :** En mode d'alimentation par batterie de secours, la serrure automatique de porte de garage se déverrouillera lorsque la porte de garage est ouverte; elle restera désactivée jusqu'à ce que le courant soit restauré.

Commande de porte

Barre-poussoir :
Ouvrir/fermer la porte de garage.

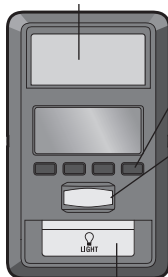
Touches de navigation :

Accéder au menu : Réglage de l'heure, Minuterie de fermeture (TTC), Verrouillage, Programmer, Température, Langue, Éclairage, Contraste, Système d'alerte d'entretien (MAS), et Configuration WiFi.

Détecteur de mouvement

Conseil : Pour faire en sorte que l'écran ACL du Smart Control Panel cesse d'afficher « CONNECT MyQ APP » (SE CONNECTER À L'APPLI myQ) :

Sur le Smart Control Panel, appuyer sur MENU, sélectionner PROGRAM et appuyer sur le [] , appuyer sur BACK (PRÉCÉDENT), puis appuyer sur EXIT (QUITTER) pour revenir à l'écran principal.



Bouton Eclairage

- L'ouvre-porte de garage doit exécuter un cycle complet avant qu'il puisse activer la programmation WiFi®. Pour une assistance concernant le Wi-Fi, visiter LiftMaster.com/Customer-Support.

Fonctionnement

Protector System® (Capteur d'inversion de sécurité)

AVERTISSEMENT

S'assurer que l'ouvre-porte de garage est hors tension AVANT d'installer le capteur d'inversion de sécurité.

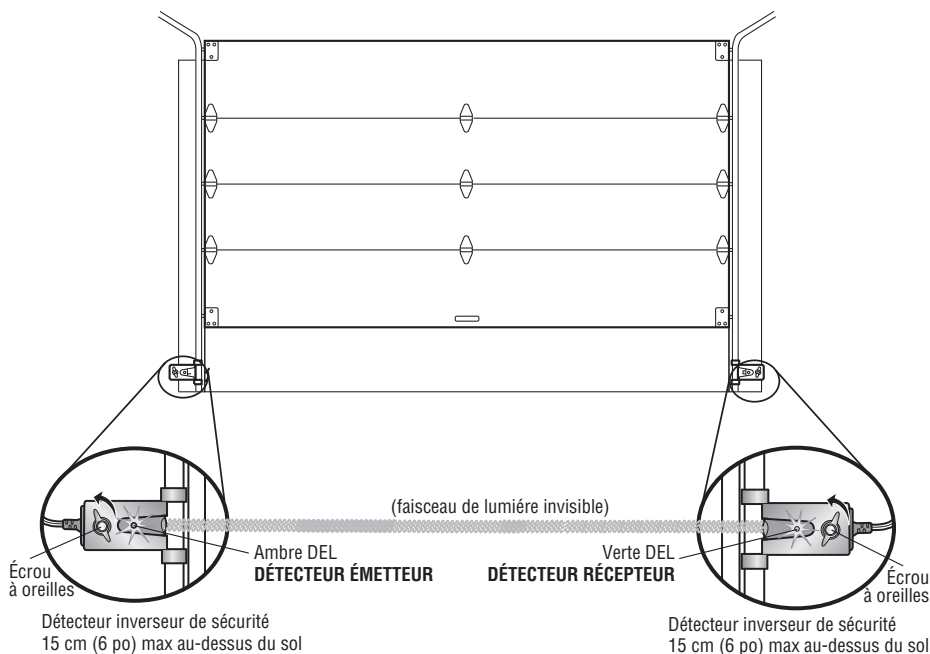
Pour prévenir des BLESSURES GRAVES ou MORTELLES par suite d'une porte de garage qui se ferme :

- Raccorder et aligner correctement le capteur d'inversion de sécurité. Ce dispositif de sécurité obligatoire NE DOIT PAS être désactivé.
- Installer le capteur d'inversion de sécurité de manière à ce que le faisceau NE SOIT PAS À UNE HAUTEUR de plus de 15 cm (6 po) au-dessus du plancher du garage.

La porte ne se fermera pas si les capteurs n'ont pas été installés et alignés correctement.

Si le faisceau lumineux est obstrué ou mal aligné quand la porte se ferme, celle-ci inversera sa course et l'éclairage de l'ouvre-porte de garage clignotera dix fois. Si la porte est déjà ouverte, elle ne se fermera pas.

Les capteurs peuvent être alignés en desserrant les écrous à oreilles, en corrigeant l'alignement, puis en resserrant les écrous à oreilles. S'assurer que les témoins à DEL des deux capteurs sont allumés. Les témoins à DEL des deux capteurs s'allumeront en continu s'ils sont alignés et câblés correctement.



Si la DEL ambre du capteur émetteur ne s'allume pas :

1. S'assurer que l'ouvre-porte de garage reçoit bien l'alimentation électrique.
2. S'assurer que le fil du capteur n'est pas court-circuité ni rompu.
3. S'assurer que le capteur a été câblé correctement :
les fils blancs à la borne blanche et les fils blancs/noirs à la borne grise.

Si la DEL verte du capteur récepteur ne s'allume pas :

1. S'assurer que le fil du capteur n'est pas court-circuité ni rompu.
2. S'assurer que les capteurs sont alignés.

Réglage

Introduction

AVERTISSEMENT

Sans un système d'inversion de sécurité bien installé, des personnes (plus particulièrement les petits enfants) pourraient être **GRIÈVEMENT BLESSÉES** ou **TUÉES** par une porte de garage qui se referme.

- Un réglage erroné des limites de fin de course de la porte de garage gênera le bon fonctionnement du système d'inversion de sécurité.
- Après avoir effectué **QUELQUE** réglage que ce soit, on **DOIT** faire l'essai du système d'inversion de sécurité. La porte de garage **DOIT** remonter au contact d'un objet d'une hauteur de 3,8 cm (1 1/2 po) (ou d'un 2 x 4 posé à plat) du sol.

ATTENTION

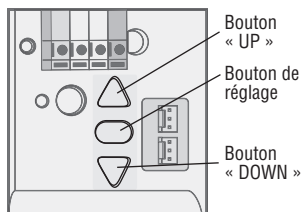
Pour prévenir les dommages aux véhicules, s'assurer que la porte entièrement ouverte offre un dégagement suffisant.

Votre ouvre-porte de garage a été conçu avec des commandes électroniques pour simplifier la configuration et les réglages. Les réglages vous permettent de programmer le point d'arrêt de fermeture ou d'ouverture de la porte. Les commandes électroniques détectent la force requise pour l'ouverture et la fermeture de la porte.

REMARQUE : *Si quoi que ce soit gêne l'ouverture de la porte, cette dernière s'arrêtera. Si quoi que ce soit gêne la fermeture de la porte, cette dernière remontera.*

Boutons de programmation

Les boutons de programmation sont situés sur le panneau arrière de l'ouvre-porte de garage et servent à programmer la course.



Réglage

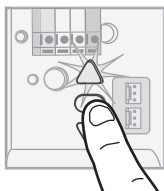
1 - Programmation de la course

AVERTISSEMENT

Sans un système d'inversion de sécurité bien installé, des personnes (plus particulièrement les petits enfants) pourraient être GRIÈVEMENT BLESSÉES ou TUÉES par une porte de garage qui se referme.

- Un réglage erroné des limites de fin de course de la porte de garage gênera le bon fonctionnement du système d'inversion de sécurité.
- Après avoir effectué QUELQUE réglage que ce soit, on DOIT faire l'essai du système d'inversion de sécurité. La porte de garage DOIT remonter au contact d'un objet d'une hauteur de 3,8 cm (1 1/2 po) (ou d'un 2 x 4 posé à plat) du sol.

1 Enfoncer et tenir le bouton de réglage jusqu'à ce que le bouton fléché vers le haut commence à clignoter ou qu'un bip se fasse entendre.

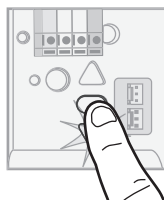


2 Enfoncer et tenir le bouton fléché vers le haut jusqu'à ce que la porte soit à la position d'ouverture désirée.

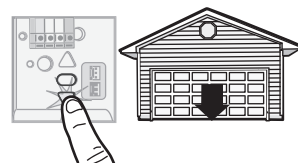


REMARQUE : Les boutons fléchés vers le HAUT et le BAS peuvent être utilisés pour déplacer la porte vers le haut et le bas, au besoin.

3 Une fois que la porte est dans la position d'ouverture désirée, appuyer sur le bouton de réglage et le relâcher. L'éclairage de l'ouvre-porte de garage clignotera deux fois et le bouton fléché vers le bas commencera à clignoter.

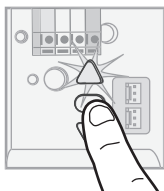


4 Enfoncer et tenir le bouton fléché vers le bas jusqu'à ce que la porte soit à la position de fermeture désirée.



REMARQUE : Les boutons fléchés vers le HAUT et le BAS peuvent être utilisés pour déplacer la porte vers le haut et le bas, au besoin.

5 Lorsque la porte est dans la position de fermeture désirée, enfoncer et relâcher le bouton de réglage. L'éclairage de l'ouvre-porte de garage clignotera deux fois et le bouton fléché vers le haut commencera à clignoter.



6 Enfoncer et relâcher le bouton fléché vers le haut. Lorsque la porte se déplace à la position d'ouverture programmée, le bouton fléché vers le bas commencera à clignoter.



7 Enfoncer et relâcher le bouton fléché vers le bas. La porte se déplacera jusqu'à la position de FERMETURE programmée. La programmation est terminée.



- Si les lampes de l'ouvre-porte de garage clignotent 5 fois au cours des étapes de programmation de la course, le délai de programmation a expiré. Si l'éclairage de l'ouvre-porte de garage clignote dix fois au cours des étapes de programmation de la course, les capteurs d'inversion de sécurité sont mal alignés ou obstrués. Lorsque les capteurs sont alignés et dégagés, effectuer un cycle complet d'ouverture et de fermeture de la porte en utilisant la télécommande ou les boutons fléchés vers le HAUT et le BAS. La programmation est terminée. Si la porte ne se déplace pas vers le haut ou le bas, répéter les étapes de programmation de la course.

Réglage

2 - Essai du système d'inversion de sécurité

AVERTISSEMENT

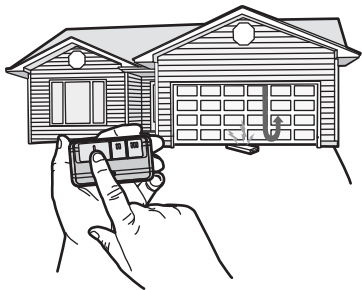
Sans un système d'inversion de sécurité bien installé, des personnes (plus particulièrement les petits enfants) pourraient être GRIÈVEMENT BLESSÉES ou TUÉES par une porte de garage qui se referme.

- Le système d'inversion de sécurité DOIT être testé chaque mois.
- Après avoir effectué QUELQUE réglage que ce soit, on DOIT faire l'essai du système d'inversion de sécurité. La porte de garage DOIT remonter au contact d'un objet d'une hauteur de 3,8 cm (1 1/2 de po) (ou un 2 x 4 posé à plat) du sol.

1 La porte étant entièrement ouverte, placer une planche de 3,8 cm (1 1/2 de po) d'épaisseur (ou un 2 x 4 à plat) sur le sol, centrée sous la porte de garage.



2 Appuyer sur le bouton-poussoir de la télécommande pour fermer la porte. La porte DOIT remonter quand elle entre en contact avec la planche.



Si la porte arrête sa course, mais ne l'inverse pas :

1. Revoir les instructions d'installation fournies pour vérifier que toutes les étapes ont bien été suivies. 2. Répéter la programmation de la course de la porte (voir Étape 1 du réglage). 3. Répéter l'essai du système d'inversion de sécurité.

Si l'essai échoue encore, appeler un technicien formé en systèmes de porte.

3 - Essai du Protector System®

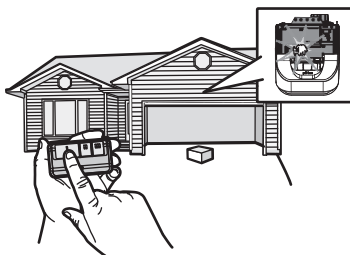
AVERTISSEMENT

Sans un système d'inversion de sécurité bien installé, des personnes (plus particulièrement les petits enfants) pourraient être GRIÈVEMENT BLESSÉES ou TUÉES par une porte de garage qui se referme.

1 Ouvrir la porte. Placer un obstacle dans la trajectoire de la porte en mouvement.



2 Appuyer sur le bouton-poussoir de la télécommande pour fermer la porte. La porte ne se déplacera pas de plus de 2,5 cm (1 po) et l'éclairage de l'ouvre-porte de garage clignotera 10 fois.



L'ouvre-porte de garage ne se fermera pas avec une télécommande si le témoin à DEL d'un des deux capteurs d'inversion de sécurité est éteint (ce qui indique que le détecteur est mal aligné ou obstrué).

Si l'ouvre-porte de garage ferme la porte lorsque le capteur d'inversion de sécurité est obstrué (et que les capteurs ne sont pas à plus de 15 cm [6 po] du sol), appeler un technicien formé en systèmes de porte.

Entretien

Chaque mois

- Faire fonctionner la porte manuellement. Si elle est déséquilibrée ou si elle force, appeler un technicien formé en systèmes de porte.
- S'assurer que la porte s'ouvre et se ferme complètement. Régler au besoin, voir la page 13.
- Mise à l'essai du système d'inversion de sécurité. Régler au besoin, voir la page 14.

Chaque année

- Huiler les galets, les roulements et les charnières de la porte. Il n'est pas nécessaire de lubrifier davantage l'ouvre-porte de garage. Ne pas graisser les guides de la porte.
- (S'il y a lieu) Mettre la batterie à l'essai et envisager de la remplacer pour garantir que l'ouvre-porte de garage fonctionnera pendant une panne de courant.
 1. Débrancher l'ouvre-porte de garage de la source d'alimentation c. a. La DEL d'état de charge de la batterie s'allumera en orange de manière continue (ce qui indique que l'ouvre-porte fonctionne sur batterie) ou clignotera (pour indiquer que la batterie est faible).
 2. Ouvrir et fermer la porte avec la télécommande ou la commande de porte.
 3. En mode d'alimentation par batterie de secours, la serrure automatique de porte de garage se déverrouillera lorsque la porte de garage est ouverte; elle restera désactivée jusqu'à ce que le courant soit restauré.
 4. Brancher l'ouvre-porte de garage. Vérifier que la DEL d'état de charge de la batterie clignote en vert (ce qui indique que la batterie se recharge).

Tous les deux ou trois ans

- Utiliser un chiffon pour éliminer la graisse existante sur le rail de l'ouvre-porte de garage. Appliquer de nouveau une fine couche de graisse blanche au lithium sur la surface du rail, là où le chariot glisse.

La pile de la télécommande

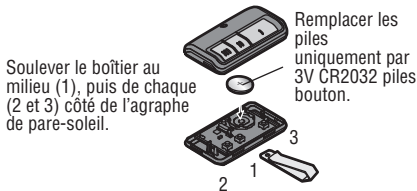
AVERTISSEMENT

Pour éviter des BLESSURES GRAVES, voire MORTELLES :

- Ne JAMAIS laisser des enfants s'approcher de la batterie.
- Appeler immédiatement un médecin en cas d'ingestion d'une pile.

Pour réduire le risque d'incendie, d'explosion ou de brûlure chimique :

- La remplacer UNIQUEMENT par une pile bouton de 3 V CR2032.
- NE PAS recharger, démonter, chauffer à plus de 100 °C (212 °F) ou incinérer les piles.



Dépannage

Des conseils de dépannage sont présentés ci-dessous. Pour une assistance supplémentaire et des vidéos d'aide, aller à

support.chamberlain.com ou contacter le détaillant ayant installé votre système.

L'ouvre-porte de garage ne ferme pas la porte et l'éclairage clignote.

S'assurer que les témoins à DEL des deux capteurs sont allumés. Les témoins à DEL des deux capteurs s'allumeront en continu s'ils sont alignés et câblés correctement. Voir la page 11.

La télécommande Homelink® de mon véhicule n'arrive pas à programmer mon ouvre-porte de garage :

Un adaptateur externe peut être nécessaire selon la marque et l'année-modèle de votre véhicule. Visiter www.homelink.com pour de l'information supplémentaire.

Mon ouvre-porte de garage émet des bips :

L'ouvre-porte de garage peut émettre des bips pour plusieurs raisons :

- L'ouvre-porte de garage a été activé par un dispositif ou une fonction comme une minuterie de fermeture, un moniteur de porte de garage ou une passerelle internet LiftMaster.
- Fonctionnement sur l'alimentation de la batterie ou la batterie doit être remplacée.

La télécommande de mon voisin ouvre ma porte de garage :

Effacer la mémoire de votre ouvre-porte de garage et reprogrammer la télécommande.

La porte est en mouvement sur une distance de 15 à 20 cm (6 à 8 po), puis s'arrête ou inverse sa course :

- Ouvrir et fermer manuellement la porte du garage. La porte du garage colle ou rencontre peut-être un obstacle. Si la porte force ou colle, appeler un technicien formé en systèmes de porte.
- Défaillance possible du module de course.

Ma télécommande n'actionne pas la porte de garage :

Vérifier que la fonction de verrouillage n'est pas activée sur la commande de porte ou reprogrammer la télécommande.

La commande de porte ne fonctionne pas :

Les fils de la commande de porte sont court-circuités ou la commande de porte est défectueuse.

L'éclairage de l'ouvre-porte de garage ne s'éteint pas quand la porte est ouverte :

L'ouvre-porte de garage est doté d'une fonction qui allume l'éclairage lorsque les capteurs d'inversion de sécurité sont obstrués ou que le détecteur de mouvement de la commande de porte détecte un mouvement dans le garage. Cette fonction peut être désactivée à l'aide de la commande de porte.

L'ouvre-porte émet un faible murmure pendant une à deux secondes, mais la porte ne bouge pas :

Ouvrir et fermer manuellement la porte du garage. La porte du garage colle ou rencontre peut-être un obstacle. Si la porte force ou colle, appeler un technicien formé en systèmes de porte.

L'ouvre-porte de garage ne se connecte pas au réseau Wi-Fi du domicile :

Vérifier que le numéro de série myQ® a été saisi correctement et essayer de nouveau. Les caractères myQ® se situent entre A et F et 0 à 9 uniquement.

Pour dépanner la serrure automatique de porte de garage de modèle 841LM, consulter les instructions fournies avec la serrure.

Ma caméra ne se connecte pas au routeur.

- Déplacer le routeur plus près de l'ouvre-porte de garage pour minimiser le brouillage causé par les murs et d'autres objets.
- Acheter un extenseur de portée Wi-Fi.

Pour les problèmes avec la caméra, enfoncer et tenir le bouton de réinitialisation de la caméra pendant 10 secondes. Suivre ensuite les instructions de l'appli myQ® pour configurer la caméra.

Guide de sécurité et d'entretien de l'ouvre-porte de garage automatique

Sécurité des ouvre-porte de garage - Une décision automatique

Une porte de garage est le plus grand objet mobile de la maison. Dans le cas où la porte de garage et l'actionneur seraient mal réglés, une très grande force pourrait être exercée par la porte en se fermant, ce qui pourrait causer le piégeage d'enfants ou d'adultes et entraîner des blessures ou la mort.

L'installation appropriée du dispositif, l'emploi correct de l'ouvre-porte, de même que son bon entretien et la mise à l'essai de la porte et de l'actionneur automatique sont essentiels pour obtenir un système sécuritaire et efficace du système. L'utilisation négligente de l'ouvre-porte ou le fait de laisser des enfants jouer avec les commandes de l'ouvre-porte créent des situations dangereuses qui peuvent avoir des conséquences tragiques. De simples précautions peuvent protéger votre famille et vos amis de dangers potentiels. Veuillez lire attentivement les conseils de sécurité et d'entretien dans cette guide et conserver celle-ci pour référence ultérieure. Vérifiez votre porte de garage et l'ouvre-porte pour vous assurer qu'ils fonctionnent bien et de manière sécuritaire. Assurez-vous de lire tous les renseignements importants sur la sécurité qui se trouvent dans le manuel de votre ouvre-porte de garage, car ils fournissent plus de détails et de consignes de sécurité que ne peut en contenir cette guide.

Les ouvre-porte de garage ne sont pas des jouets

Discuter de la sécurité de la porte de garage et de l'ouvre-porte avec vos enfants. Leur expliquer le danger de rester piégé sous la porte.



Rester à l'écart d'une porte en mouvement.



Garder les émetteurs et les télécommandes hors de portée des enfants. Ne jamais permettre aux enfants d'utiliser ou de jouer avec des émetteurs ou d'autres télécommandes.



Le bouton-poussoir monté au mur doit être hors de portée des enfants à au moins 1,5 m (5 pi) de la surface d'appui la plus proche et à l'écart de toutes les pièces mobiles. Monter et utiliser le bouton à un endroit où vous pouvez voir clairement la porte de garage se fermer.



Gardez la porte bien en vue jusqu'à ce qu'elle soit complètement fermée lors de l'utilisation du bouton-poussoir monté au mur ou de l'émetteur.

L'entretien courant peut éviter des tragédies

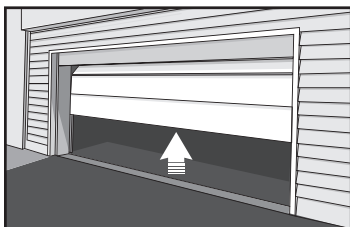
Faire en sorte que l'inspection et la mise à l'essai mensuelles du système de porte de garage et de l'ouvre-porte fassent partie de vos tâches routinières. Étudiez votre manuel du propriétaire pour bien comprendre le fonctionnement de la porte et de l'ouvre-porte. Si vous ne possédez plus les manuels du propriétaire, contactez leur fabricant respectif et demandez de recevoir un exemplaire pour votre ou vos modèles particuliers. Repérer le numéro de modèle de l'ouvre-porte à l'arrière de l'unité d'alimentation.

⚠ AVERTISSEMENT - Les ressorts sont fortement tendus. Seules des personnes qualifiées peuvent les régler.



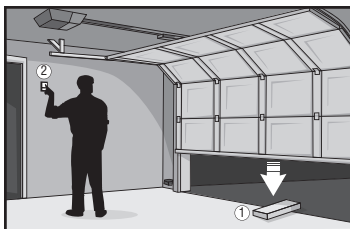
Vérifiez visuellement la porte et l'installation :

- en commençant par la porte en position fermée, servez-vous du mécanisme de déverrouillage manuel pour déconnecter la porte.
- Recherchez des signes d'usure ou de dommage sur les charnières, les rouleaux, les ressorts et les panneaux de la porte.
- Ces pièces doivent être lubrifiées régulièrement. Vérifiez le manuel du propriétaire concernant l'entretien suggéré.
- En cas de signes de dommages évidents, contactez un technicien formé en systèmes de porte pour obtenir une assistance.
- Vérifiez que les cellules photoélectriques ne dépassent pas une hauteur de 15 cm (6 po) du plancher de garage.



Tester le bon fonctionnement de la porte :

- Ouvrez et fermez la porte manuellement en utilisant les poignées ou des points de préhension convenables.
- La porte devrait bouger librement et sans difficulté.
- **La porte devrait être équilibrée et rester partiellement ouverte à une hauteur de 0,9 m à 1,2 m (3 à 4 pi) au-dessus du sol.**
- En cas de signes d'un mauvais fonctionnement, contactez un technicien formé en systèmes de porte pour obtenir une assistance.



Tester les fonctions de sécurité de l'ouvre-porte :

- Reconnectez l'ouvre-porte à la porte à l'aide du mécanisme de déverrouillage manuel et ouvrez la porte.
- Placez une planche de 2x4 à plat dans la trajectoire de la porte (1) et essayez de fermer la porte (2). La porte devrait s'arrêter lorsqu'elle entre en contact avec la planche et inverser sa course.
- Bloquez le capteur photoélectrique en agitant un objet devant le capteur et tentez de fermer la porte. La porte ne devrait pas se fermer à moins que le bouton-poussoir monté au mur soit tenu manuellement pendant l'opération.
- Si l'ouvre-porte ne fonctionne pas comme décrit dans le manuel, contactez un technicien formé en systèmes de porte pour obtenir une assistance.



Pièces de réparation

Pour voir les pièces de rechange pour votre ouvre-porte de garage, trouver le numéro de modèle sur le panneau d'extrémité de l'ouvre-porte et visiter support.chamberlain.com pour télécharger ou imprimer le manuel d'installation.

Garantie

GARANTIE LIMITÉE DE LIFTMASTER®

LiftMaster® (« le vendeur ») garantit à l'acheteur au détail initial de ce produit pour la résidence dans laquelle ce produit est originalement installé, que ce dernier est exempt de tout défaut matériel ou de fabrication pour la période de temps précisée ci-dessous (la « période de garantie »). La période de garantie commence à la date d'achat.

PÉRIODE DE GARANTIE					
Pièces	Moteur	Accessoires	Pile de secours*	Courroie	Caméra
5 ans	À vie	1 an	1 an	À vie	1 an

Le bon fonctionnement de ce produit dépend de la conformité de l'utilisateur aux instructions relatives à l'installation, au fonctionnement, à l'entretien et aux mises à l'essai. Tout défaut de se conformer strictement à ces instructions annulera la présente garantie limitée dans son intégralité.

Si, au cours de la période de garantie limitée, ce produit semble présenter un défaut couvert par la présente garantie limitée, appeler le 1 800 528 9131 sans frais, avant de démonter le produit. Des instructions de démontage et d'expédition seront fournies lors de votre appel. Le produit ou la pièce doit ensuite être envoyé à notre centre de réparation sous garantie, conformément aux instructions reçues, frais d'affranchissement et d'assurance prépayés. Une brève description du problème et une preuve d'achat datée devront accompagner tout produit retourné pour une réparation sous garantie. Les produits retournés au vendeur pour une réparation couverte sous garantie qui, après réception par le vendeur, sont déclarés défectueux et couverts par la présente garantie limitée, seront réparés ou remplacés (à la discrétion du vendeur) sans frais et retournés port payé. Les pièces défectueuses seront réparées ou remplacées par des pièces neuves ou réusinées, à la seule discrétion du vendeur. [Les frais engagés pour le retrait et/ou la réinstallation du produit ou de tout composant incombent à l'acheteur.]

TOUTE GARANTIE IMPLICITE POUR CE PRODUIT, Y COMPRIS, MAIS DE FAÇON NON LIMITATIVE, TOUTE GARANTIE IMPLICITE DE QUALITÉ MARCHANDE ET D'ADÉQUATION À UN USAGE PARTICULIER, SE LIMITE À LA DURÉE DE LA PÉRIODE DE GARANTIE LIMITÉE APPLICABLE STIPULÉE CI-DESSUS POUR LES COMPOSANTS CONCERNÉS; AUCUNE GARANTIE IMPLICITE N'EXISTERA OU NE S'APPLIQUERA APRÈS UNE TELLE PÉRIODE. Certains États et provinces ne permettent pas les limitations de la durée des garanties implicites, auquel cas la limitation précitée pourrait ne pas s'appliquer à l'acheteur. **LA PRÉSENTE GARANTIE LIMITÉE NE COUVRE PAS LES DOMMAGES QUI NE SONT PAS DUS À UN DÉFAUT, NI CEUX QUI SONT CAUSÉS PAR UNE MAUVAISE INSTALLATION, UNE UTILISATION OU UN ENTRETIEN INADÉQUATS (INCLUANT, NOTAMMENT, LES AVARIES DUES À UN MAUVAIS TRAITEMENT, UN USAGE INAPPROPRIÉ, L'ABSENCE D'ENTRETIEN RAISONNABLE ET NÉCESSAIRE, DES RÉPARATIONS NON AUTORISÉES OU UNE MODIFICATION QUELCONQUE APPORTÉE À CE PRODUIT), LES FRAIS DE MAIN-D'ŒUVRE POUR LA RÉINSTALLATION D'UNE UNITÉ RÉPARÉE OU REMPLACÉE, LE REMPLACEMENT DES PILES DES TÉLÉCOMMANDES ET DES AMPOULES OU DES UNITÉS INSTALLÉES POUR UNE UTILISATION NON RÉSIDENIELLE. LA PRÉSENTE GARANTIE LIMITÉE NE COUVRE PAS LES PROBLÈMES RELATIFS OU CONNEXES À LA PORTE DU GARAGE OU À LA QUINCAILLERIE DE LA PORTE DU GARAGE, NOTAMMENT LES RESSORTS DE LA PORTE, LES GALETS DE PORTE, L'ALIGNEMENT DE LA PORTE OU LES CHARNIÈRES. LA PRÉSENTE GARANTIE LIMITÉE NE COUVRE PAS NON PLUS LES PROBLÈMES CAUSÉS PAR LE BROUILLAGE. LE VENDEUR NE SERA EN AUCUN CAS TENU RESPONSABLE DES DOMMAGES-INTÉRÊTS PARTICULIERS OU INDIRECTS RÉSULTANT DE L'UTILISATION OU DE L'INAPTITUDE À UTILISER CE PRODUIT CORRECTEMENT. EN AUCUN CAS, LA RESPONSABILITÉ DU VENDEUR POUR RUPTURE DE GARANTIE, RUPTURE DE CONTRAT, NÉGLIGENCE OU RESPONSABILITÉ ABSOLUE NE DÉPASSERA LE COÛT DU PRODUIT COUVERT AUX PRÉSENTES. NUL N'EST AUTORISÉ À ASSUMER POUR NOUS D'AUTRES RESPONSABILITÉS RELATIVEMENT À LA VENTE DE CE PRODUIT.**

Certains États et provinces n'acceptant pas l'exclusion ou les restrictions relatives aux dommages immatériels, accessoires ou dommages-intérêts particuliers, les restrictions ou exclusions figurant dans la présente garantie pourraient ne pas s'appliquer à l'acheteur. Cette garantie limitée confère à l'acheteur certains droits particuliers et celui-ci pourrait avoir d'autres droits qui varient selon l'État ou la province dans lequel ou laquelle il réside.

* S'il y a lieu.